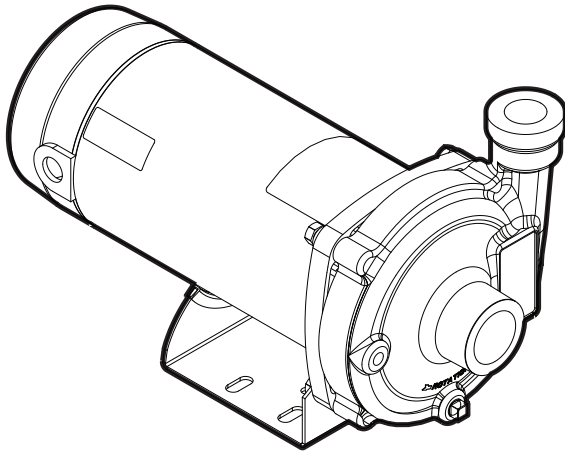


1 x 1-1/4 SS

BOOK: SPE-005
DATE: Mar. 1, 2012



Specifications:

Capacities: to 60 gpm

Heads: to 120 feet

Working Pressure: 120 psi max

Temperature: maximum 140 °F

Rotation: clockwise viewed from motor end

Pipe Connections: NPT

Discharge	Suction
1"	1-1/4"

Features:

- Glass filled thermoplastic impeller for increased efficiency and dependable high temperature operation.
- Back pull-out design provides access to internal parts without disturbing the plumbing.
- Mechanical shaft seal ensures a leakproof fit and continuous water lubrication.
- Square flange open drip-proof motor for easy service and reliability.
- Chemical resistant thermoplastic impeller.
- Viton® mechanical shaft seal for added chemical resistance.
- 304SS case and seal plate.

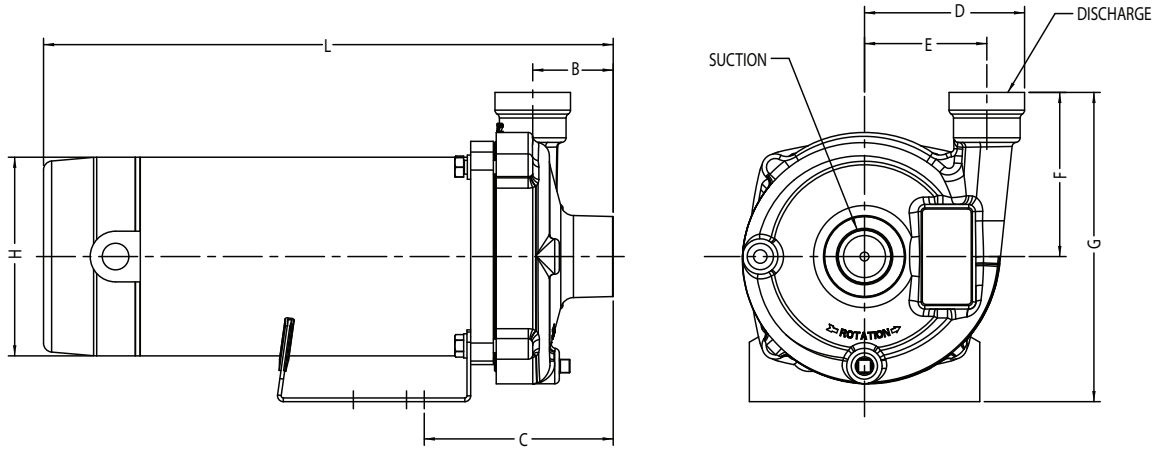
Applications:

- Water Circulation
- Booster Service
- Liquid Transfer
- Spraying System
- Jockey Pump
- General Service

Viton® is a registered trademark of E. I. du Pont de Nemours and Company.

1 x 1-1/4 SS

Dimensional Drawings:



Dimensions:

HP	Suc.	Disc.	Phase	L	B	C	D	E	F	G	H
1/2	1-1/4 NPT	1 NPT	1	16.33	2.23	5.29	4.52	3.45	4.63	8.72	5.60
3/4				16.33							
1				16.33							
1-1/2				16.33							
1/2			3	14.88							6.50
3/4				14.88							
1				14.88							
1-1/2				14.88							

Note: Dimensions are for estimating purposes only. All dimensions in inches.

Ordering Information:

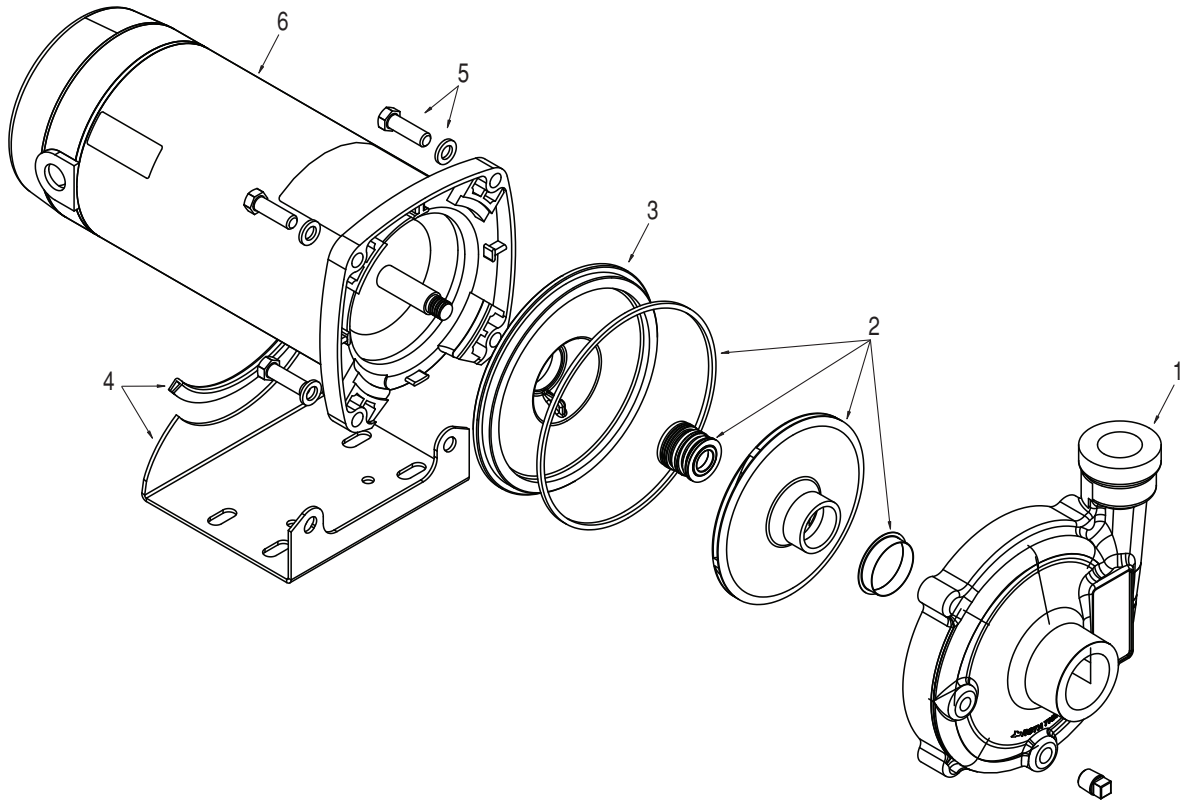
1 x 1-1/4 SS SERIES CENTRIFUGAL PUMP UNITS								
Series	Suction x Discharge	HP	Single-Phase			Three-Phase - 208-230/460 Volt		
			Model No.	Order No.	Wt.	Model No.	Order No.	Wt.
1 x 1-1/4 SS	1-1/4 x 1	1/2	5FPDDS1-S	93178056	25	5FPDDS1-T	93178098	25
		3/4	7FPDDS1-S	93178064	29	7FPDDS1-T	93178106	29
		1	1FPDDS1-S	93178072	31	1FPDDS1-T	93178114	31
		1-1/2	15FPDDS1-S	93178080	36	15FPDDS1-T	93178122	36

1 x 1-1/4 SS SERIES CENTRIFUGAL PUMP END KITS for 3500 R.P.M. - O.D.P. MOTORS								
Series	Suction x Discharge	HP Range	Phase	Motor Frame Size	Max. Imp. Diameter	PUMP END KIT		
						Model No.	Order No.	Wt.
1 x 1-1/4 SS	1-1/4 x 1	1/2 - 1-1/2	1 or 3	56Z	5.315"	DDS1-K1	93174137R378	12

Note: All weight in pounds.

1 x 1-1/4 SS

Exploded Parts Drawing:



Materials and Parts:

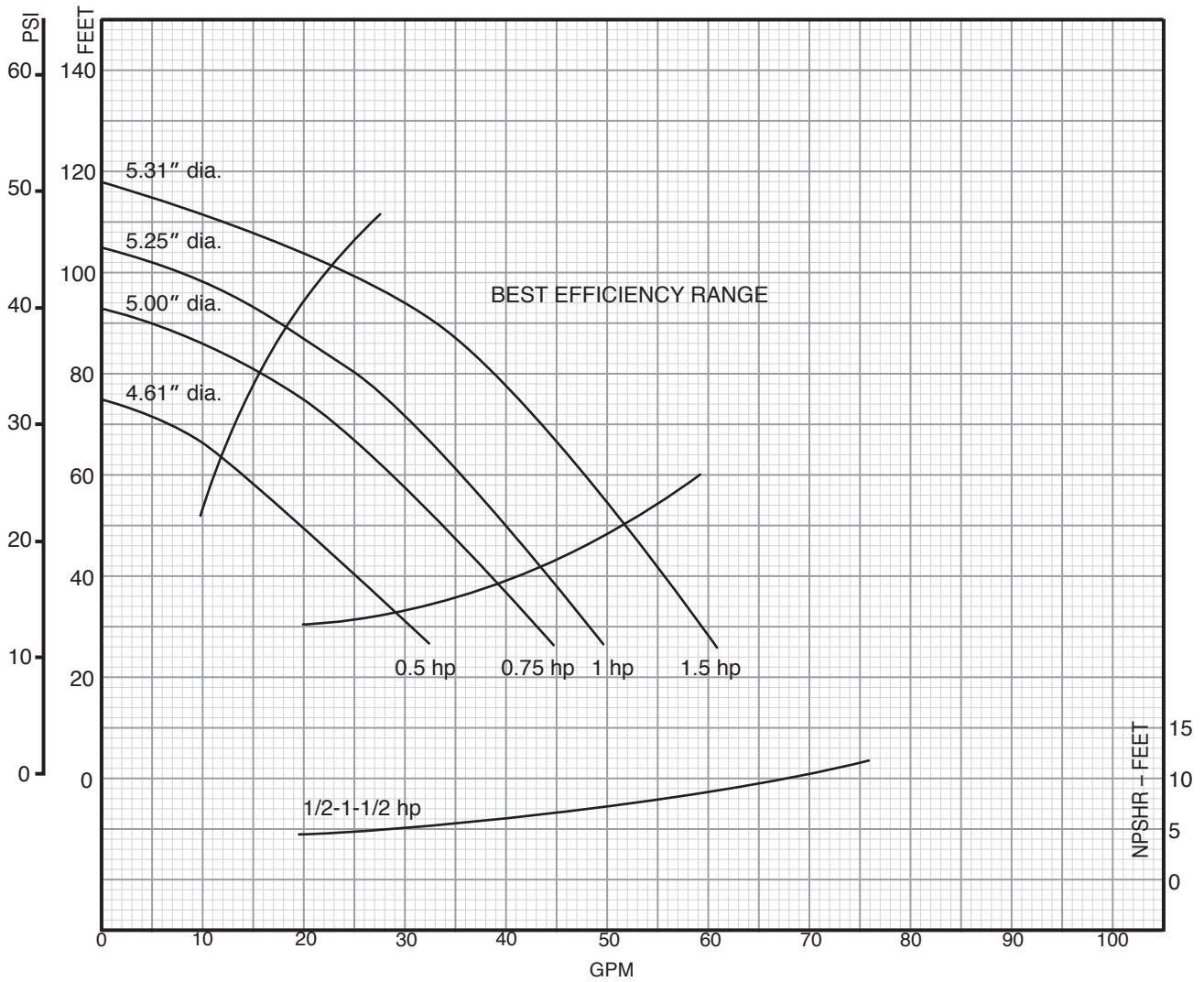
Fig. No.	Part Description	Part No.	Materials of Construction
1	Volute w/plugs	305716901	300 Series Stainless Steel
2	Impeller Kit (1/2 hp)	305716902	Various
2	Impeller Kit (3/4 hp)	305716903	Various
2	Impeller Kit (1 hp)	305716904	Various
2	Impeller Kit (1-1/2 hp)	305716905	Various
3	Seal Plate	305716906	300 Series Stainless Steel
4	Base Kit	305373901	C.R.S.
5	Fastener Kit	305716907	CAD Plated
6	Motor		See Below

HP	Single-Phase	Three-Phase
1/2	305374915	305374919
3/4	305374916	305374920
1	305374917	305374921
1.5	305374918	305374922

1 x 1-1/4 SS

Performance Curve:

3600 rpm
Nominal



Franklin Electric

400 East Spring Street, Bluffton, Indiana 46714
Tel: 260.824.2900 Fax: 260.824.2909
www.franklin-electric.com