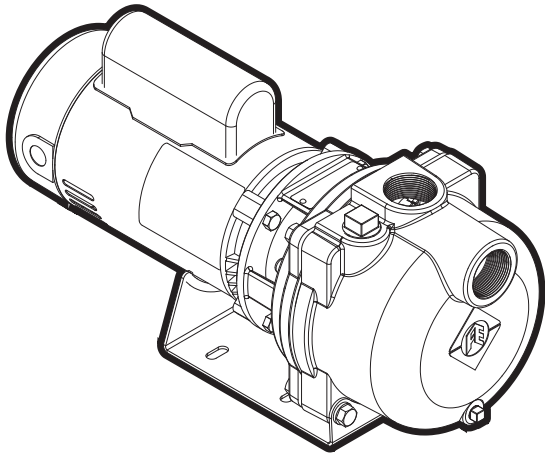


## Self-Priming Turf Boss 1 - 2 hp

**BOOK:** SPC-005  
**DATE:** Jan. 1, 2012



### Specifications:

**Capacities:** to 70 gpm

**Heads:** to 130 feet

**Working Pressure:** 75 psi max

**Temperature:** 120 °F max

**Rotation:** clockwise viewed from motor end

**Pipe Connections:** NPT

HP	Discharge	Suction
1	1-1/2"	1-1/2"
1-1/2	1-1/2"	1-1/2"
2	1-1/2"	1-1/2"

### Features:

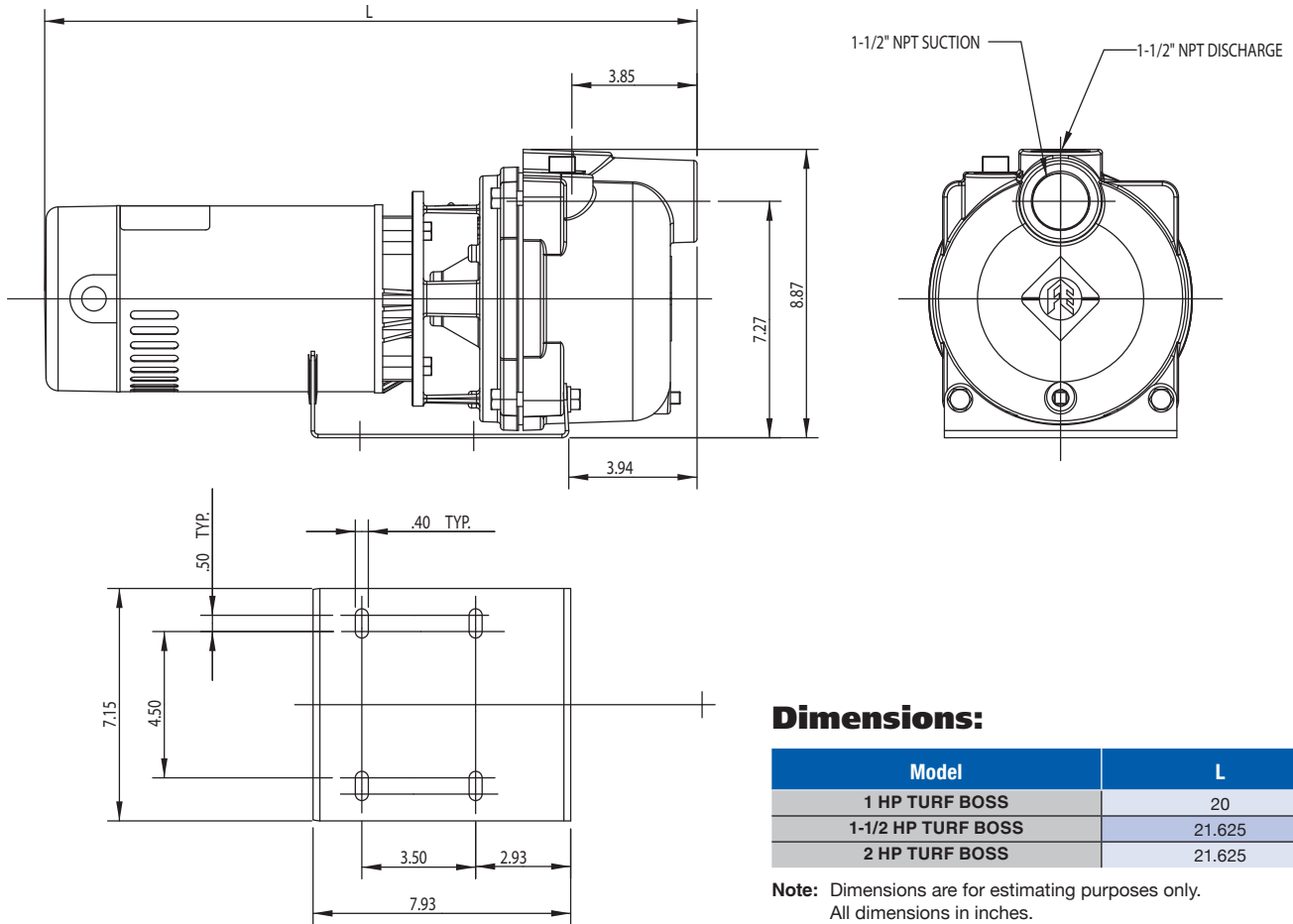
- Self-priming design, with the ability to lift water from a depth of 25'.
- Easily serviced through a back pull-out design, which leaves the plumbing and both the pump's base and case undisturbed in their original location.
- Rugged pump case constructed with heavy-duty cast iron ensures optimum durability, quiet operation, and long life.
- Hydraulic components molded with Noryl®\* thermoplastic, when coupled with the floating stainless steel impeller eyes seal, ensures dependable and efficient operation.
- Industry proven indoor and outdoor 56-J motors from A.O. Smith .
- 1 and 1.5 hp motors are dual voltage, set to run with either 115 or 230 V incoming power (2 hp is 230 V only).
- Mechanical shaft seal allows positive protection against leaking.
- Built-in drain plug for easy winterizing and servicing.
- Shut-off pressures up to 130 feet, and flow rates to 70 gpm.
- Handles water temperatures up to 120 °F.
- Integral 1" NPT priming plug.
- 1.5" NPT suction, 1.5" NPT discharge.

### Applications:

- Irrigation
- Construction
- Commercial
- Municipal
- Light Industrial
- Residential
- Water Transfer

## Self-Priming Turf Boss 1 - 2 hp

### Dimensional Drawings:



### Dimensions:

Model	L
1 HP TURF BOSS	20
1-1/2 HP TURF BOSS	21.625
2 HP TURF BOSS	21.625

**Note:** Dimensions are for estimating purposes only.  
All dimensions in inches.

### Ordering Information:

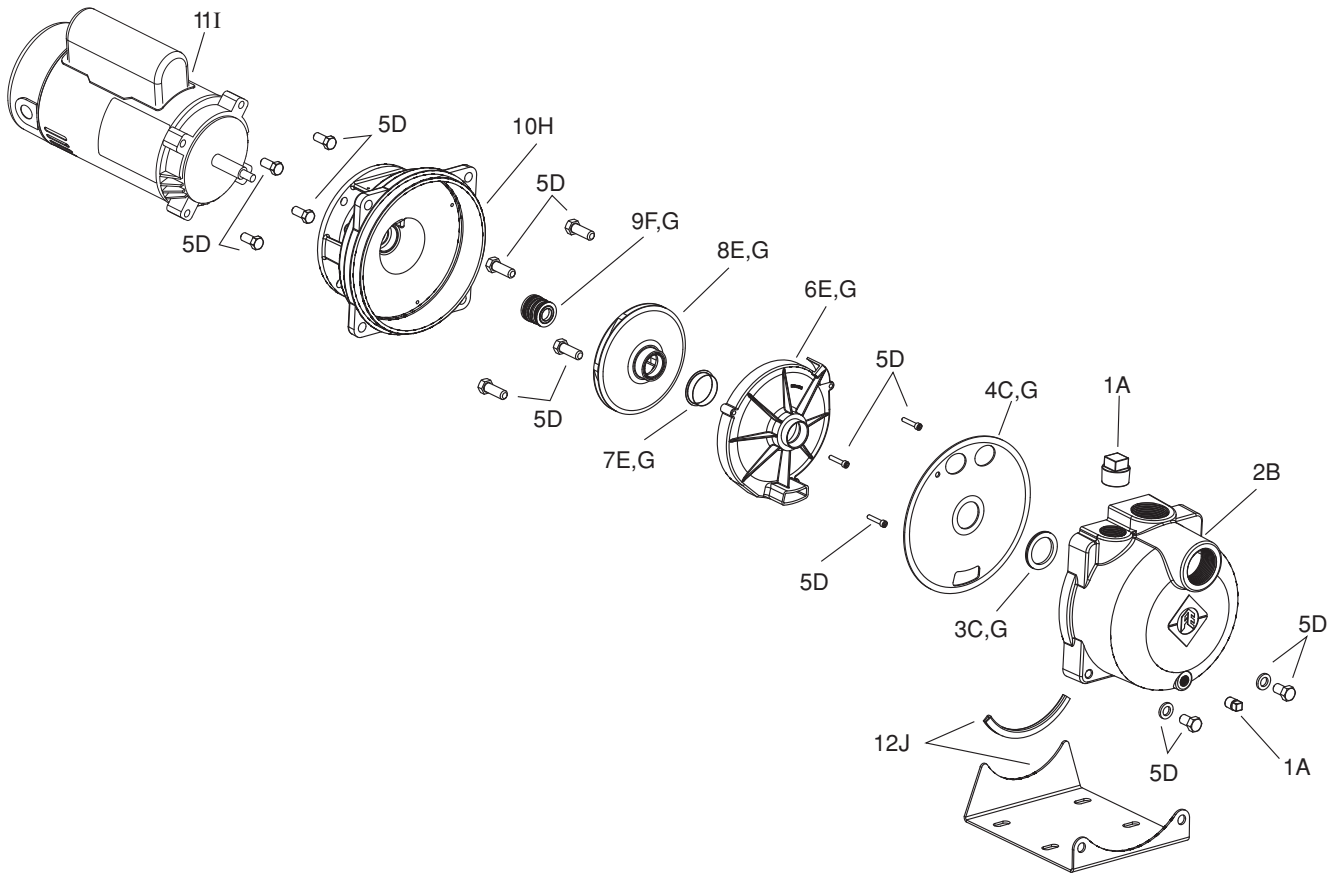
Model	HP	Suction/Discharge	Voltage	Pump Unit	
				Order No.	Wt.
FTB1CI	1	1-1/2" x 1-1/2"	115/230	92980010	50
FTB15CI	1.5	1-1/2" x 1-1/2"	115/230	92980015	57
FTB2CI	2	1-1/2" x 1-1/2"	230	92980020	58

### Pump End Kits

Model	HP	Suction/Discharge	Pump Unit	
			Order No.	Wt.
TB1CI-PE	1	1-1/2" x 1-1/2"	92940010	28
TB15CI-PE	1.5	1-1/2" x 1-1/2"	92940015	28
TB2CI-PE	2	1-1/2" x 1-1/2"	92940020	28

**Notes:** All dimensions in inches. All weight in pounds.

## Self-Priming Turf Boss 1 - 2 hp



### Materials and Parts:

Fig.	Description	Kit Grouping Identifier*	Repair Part Order Codes by Model Number			Materials of Construction
			TB1CI	TB15CI	TB2CI	
1	Plug Kits	A	305390901			CAD Plated
2	Pump Case	B	305391901			ASTM A48 Cast Iron
3	Grommet	C	305392901			BUNA-N
	Grommet	G	305396901	305396902	305396903	BUNA-N
4	Diaphragm	C	305392901			Neoprene
	Diaphragm	G	305396901	305396902	305396903	Neoprene
5	Fastener Kit*	D	305393901			CAD Plated
6	Diffuser	E	305394901	305394902	305394903	Noryl®
	Diffuser	G	305396901	305396902	305396903	Noryl®
7	Wear Ring	E	305394901	305394902	305394903	Stainless Steel
	Wear Ring	G	305396901	305396902	305396903	Stainless Steel
8	Impeller	E	305394901	305394902	305394903	Noryl®
	Impeller	G	305396901	305396902	305396903	Noryl®
9	Mechanical Seal	F	305395901			Carbon/Ceramic/Stainless Steel
	Mechanical Seal	G	305396901	305396902	305396903	Carbon/Ceramic/Stainless Steel
10	Motor Bracket	H	305397901			ASTM A48 Cast Iron
11	Motor	I	305398901	305398902	305398903	-
12	Base Assembly	J	305399901			C.R.S.

# Self-Priming Turf Boss 1 - 2 hp

Performance Curve:

**3600 rpm**  
Nominal

