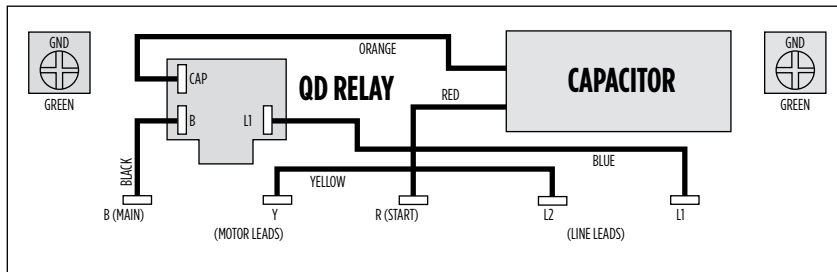




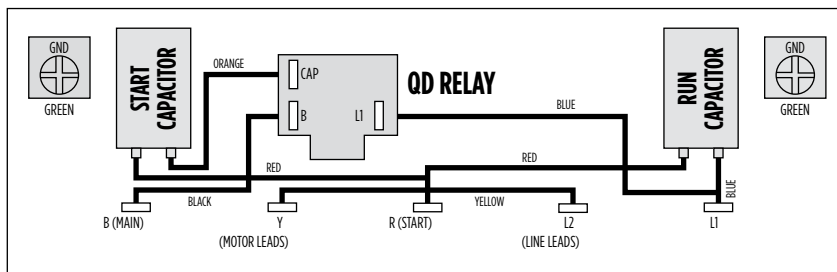
Single-Phase Motors & Controls

MOTOR MAINTENANCE

Control Box Wiring Diagrams



1/3 - 1 hp QD RELAY
280 10_ 4915
Sixth digit depends on hp

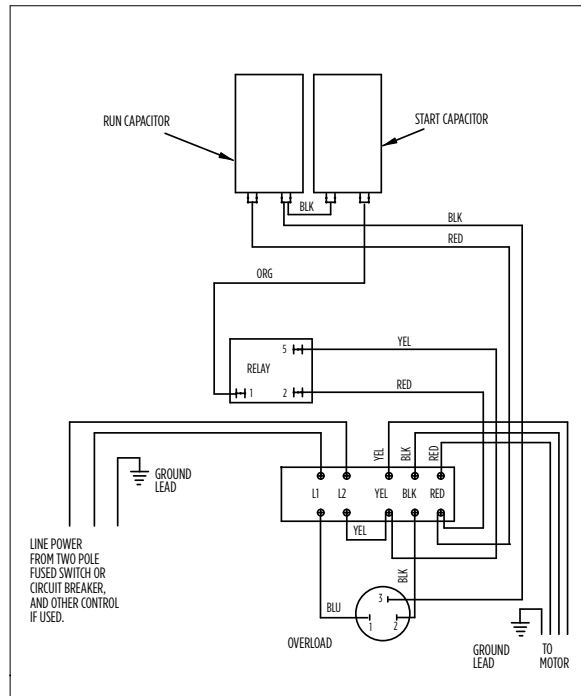


1/2 - 1 hp CRC QD RELAY
282 40_ 5015
Sixth digit depends on hp

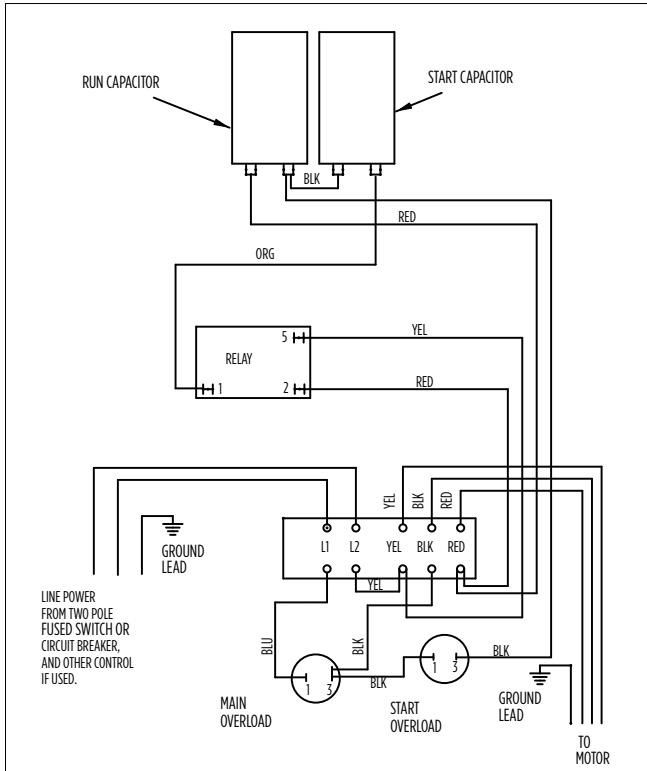


Single-Phase Motors & Controls

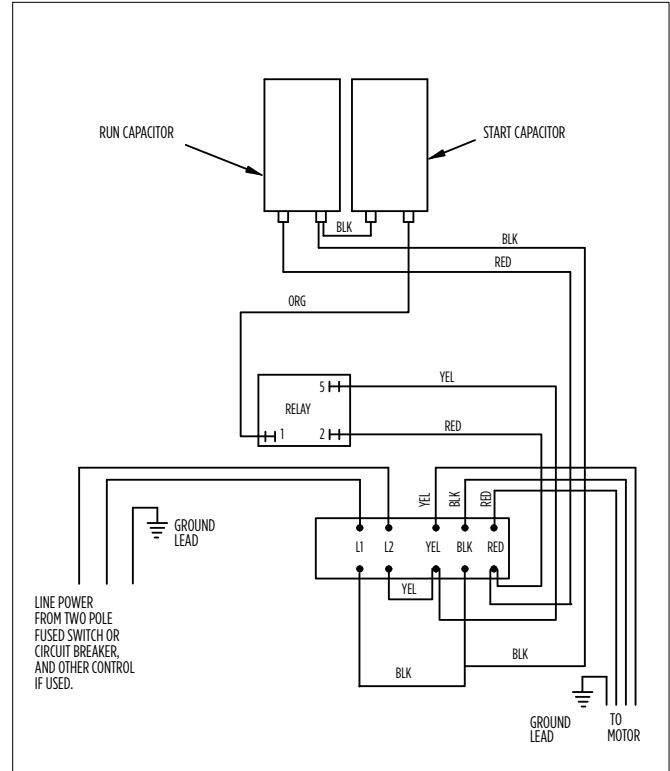
MOTOR MAINTENANCE



1 - 1.5 hp
 282 300 8110
 (Date Codes 11C19 & Older)



1 - 1.5 hp
 282 300 8110
 (Date Codes 11C19 & Newer)

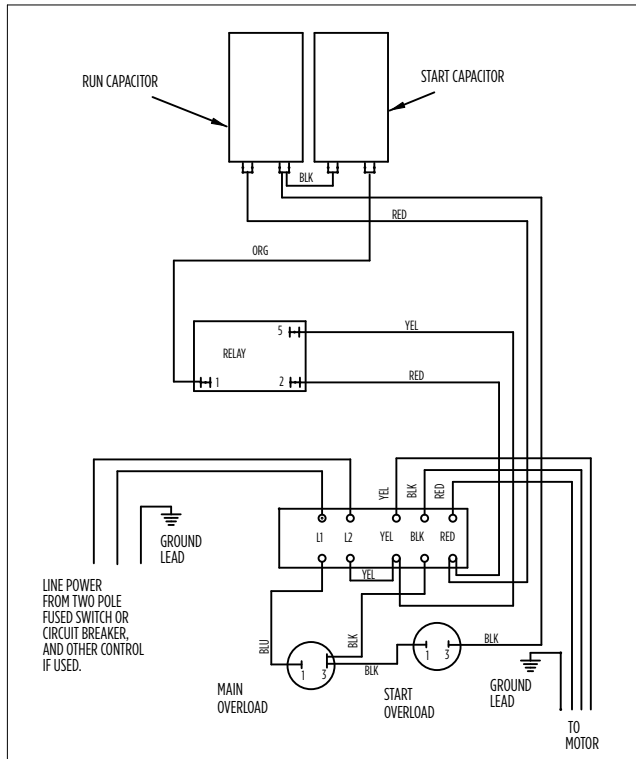


1 - 1.5 hp
 282 300 8610

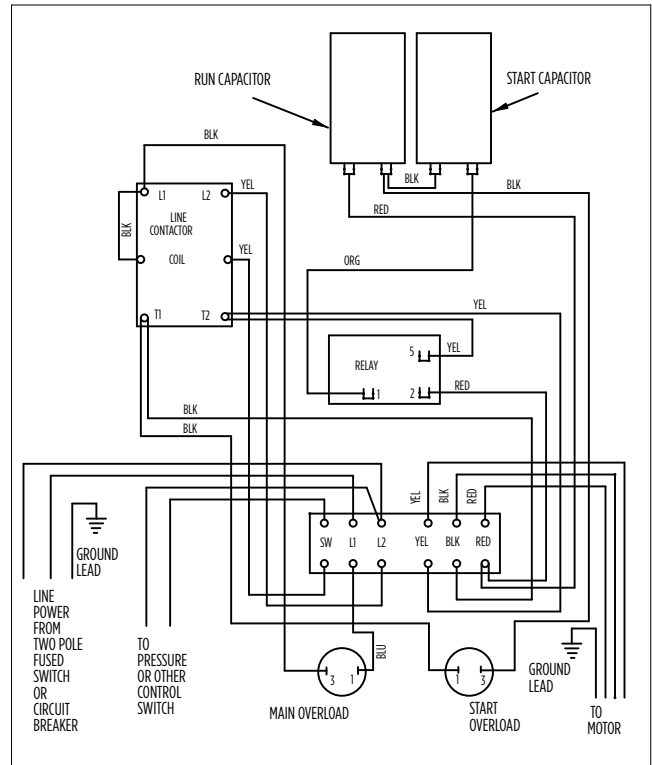


Single-Phase Motors & Controls

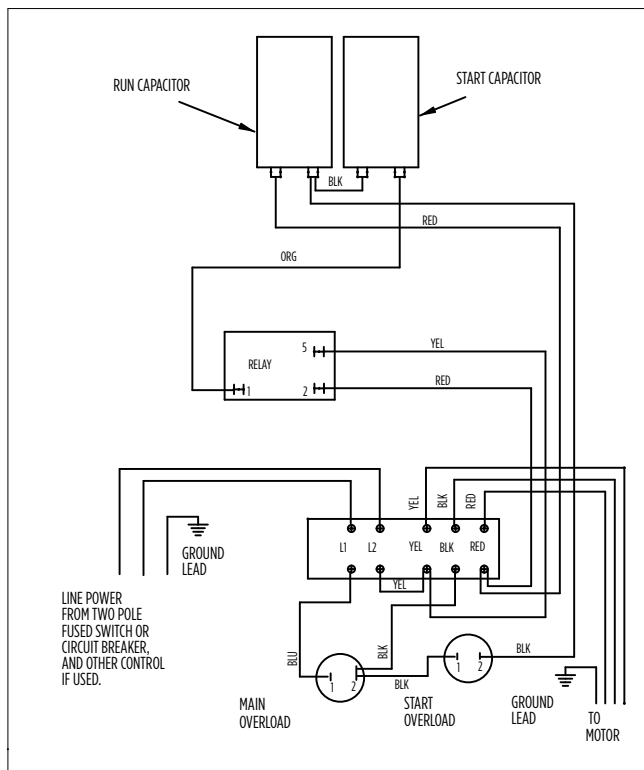
MOTOR MAINTENANCE



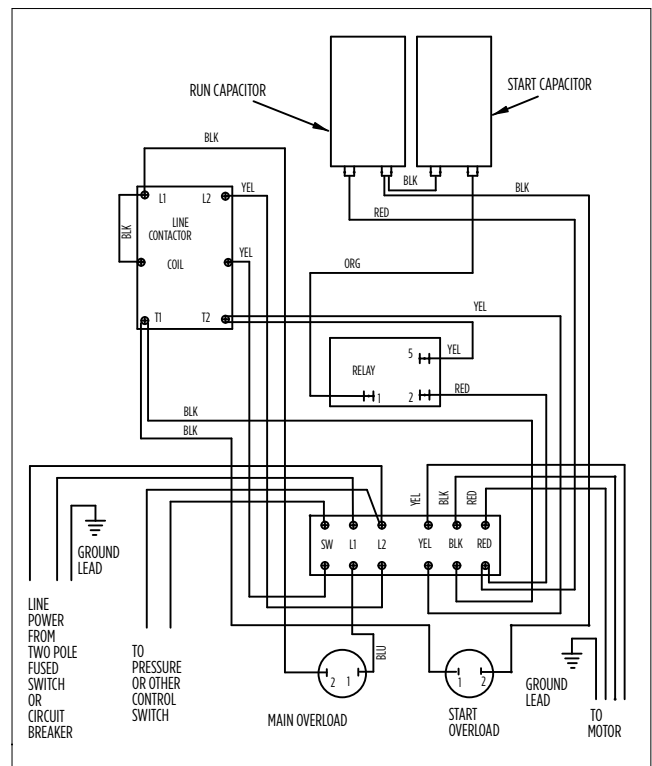
2 hp STANDARD
282 301 8110



2 hp DELUXE
282 301 8310



3 hp STANDARD
282 302 8110

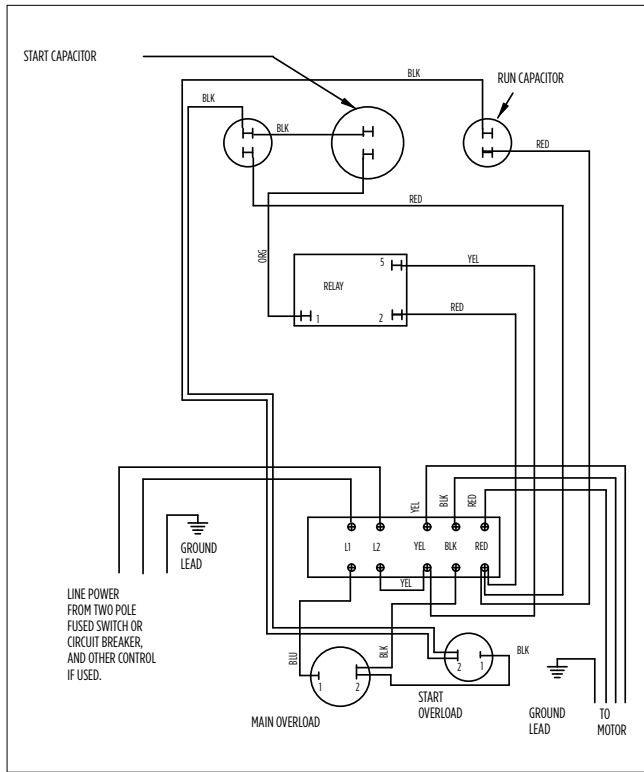


3 hp DELUXE
282 302 8310

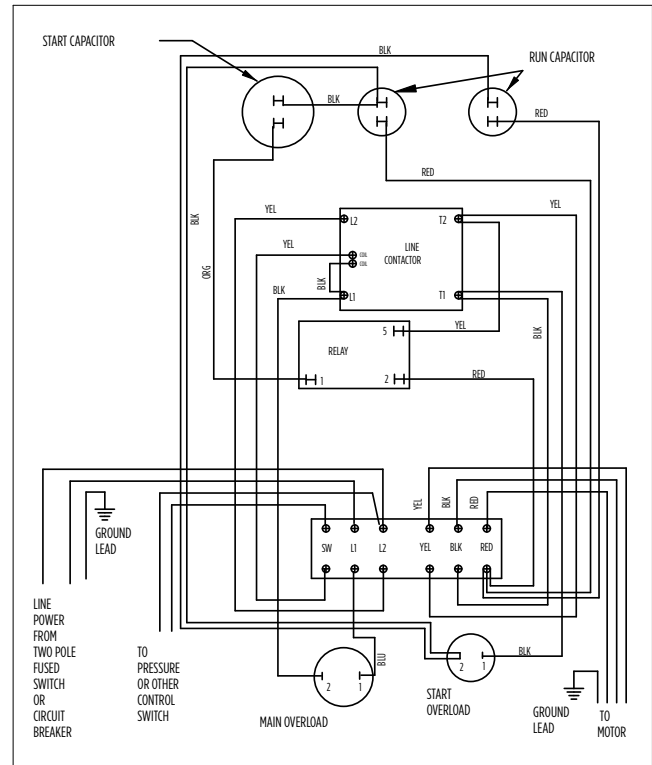


Single-Phase Motors & Controls

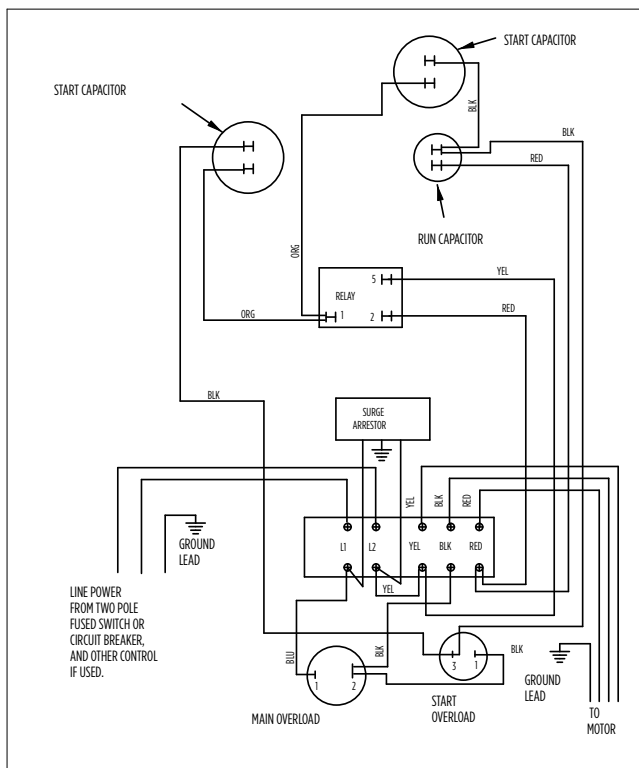
MOTOR MAINTENANCE



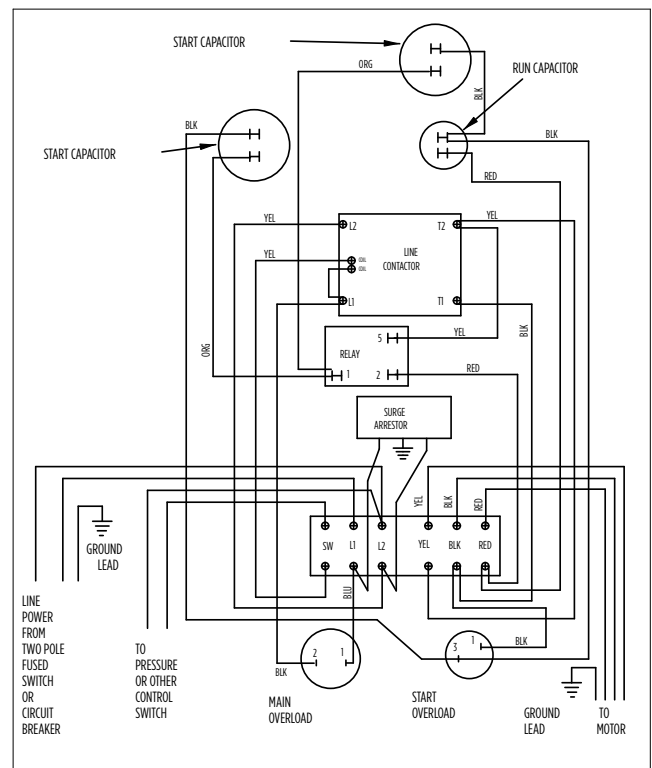
5 hp STANDARD
282 113 8110



5 hp DELUXE
282 113 8310 or 282 113 9310



7.5 hp STANDARD
282 201 9210



7.5 hp DELUXE
282 201 9310

