

MULTI-STAGE PUMPS

BT4 HORIZONTAL SERIES



FEATURES: CAST IRON

- Designed for boosting water pressure from a variety of sources, including municipal and private water systems.
- Stainless steel discharge on all models.
- Cast iron motor bracket with a rugged support foot for horizontal or vertical mounting, and a handle for portability of the unit.
- 1" suction and 1" discharge are the same across the entire line, simplifying installation and maintenance.
- The booster pump is built by Franklin Electric's patented (U.S.) patent 7,290,984 Tri-Seal floating stage system, for maximum efficiency, longevity, and performance.
- Assembled with the highest quality materials of construction, such as Celcon® for impellers, Noryl® for the diffusers, and 300 series stainless steel for the hub, eye seals, shaft, and shell.
- Mechanical seal with standard phenolic/ceramic faces, Buna elastomers, and stainless steel components.
- Easily serviced through a back pull-out design, which leaves all plumbing and the pump undisturbed in their original location.
- Industry-proven square flange motors.
- High service factor, 1/2 through 2 hp, dual-voltage motors.
- Shut-off pressures up to 270 psi, flow rates from 5 to 25 gpm, and temperatures up to 120 °F / 49 °C.



APPLICATIONS

- Boosting water pressure from city mains or private water systems
- Pressure washing buildings and floors
- Poultry houses
- Spray cooling equipment
- Lawn and crop irrigation
- Evaporative cooling system misters
- Water circulation
- General purpose plumbing
- Reverse osmosis (stainless steel BT4)
- Filtration (stainless steel BT4)

FEATURES: STAINLESS STEEL

- Mechanical seal with standard carbon/ceramic faces, Viton® elastomers, and stainless steel components.
- High service factor, 1/2 through 2 hp, dual-voltage motors.
- Stainless steel motor bracket with a rugged support foot for horizontal or vertical mounting, and a handle for portability of the unit.

Celcon® is a Registered Trademark of the Celanese Corporation.

Noryl® is a Registered Trademark of G.E.

Viton® is a Registered Trademark of Dupont Dow Elastomers.

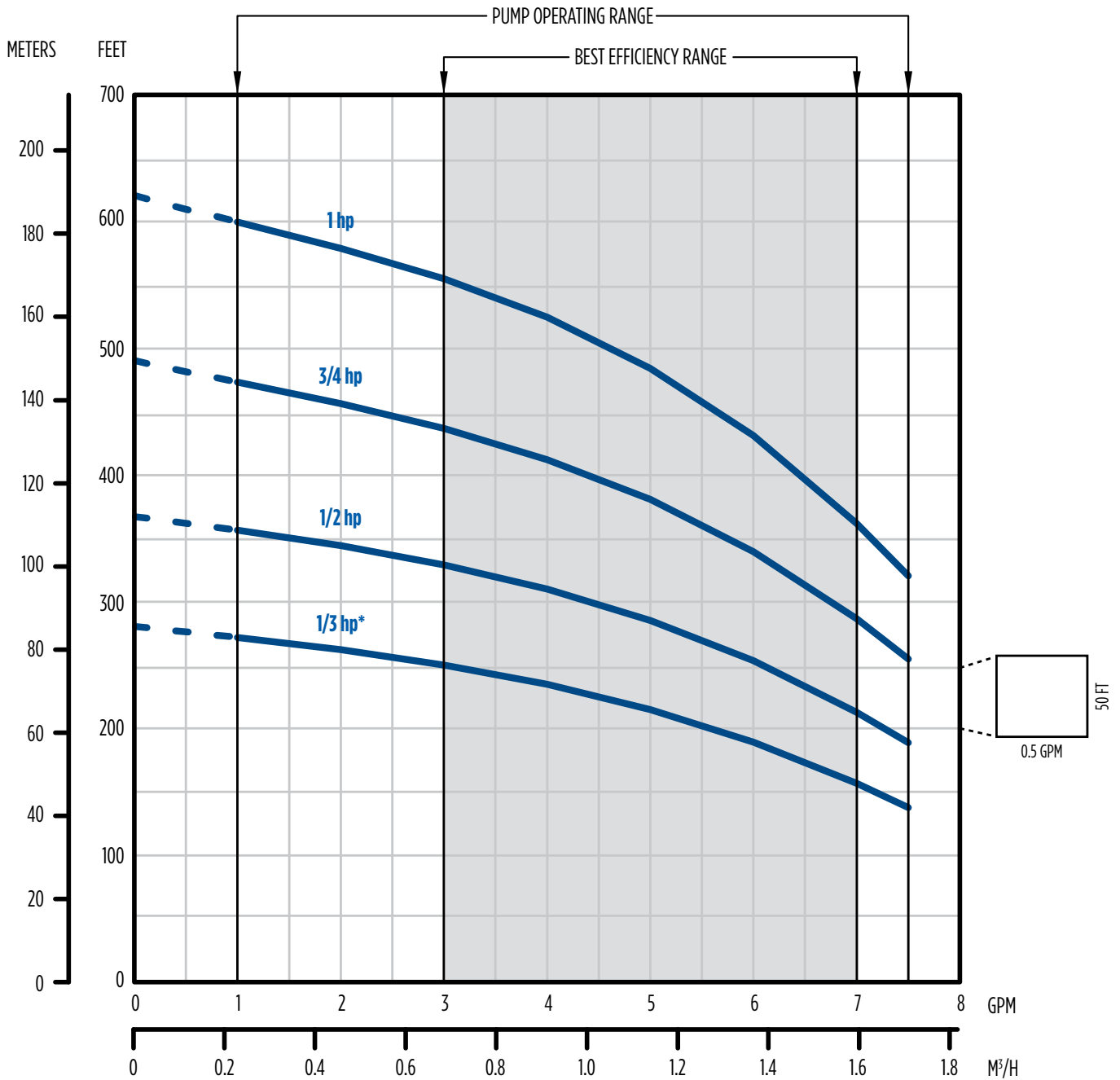
MULTI-STAGE PUMPS

BT4 HORIZONTAL SERIES



PERFORMANCE

5 GPM



*Note: 1/3 hp offered as pump end only

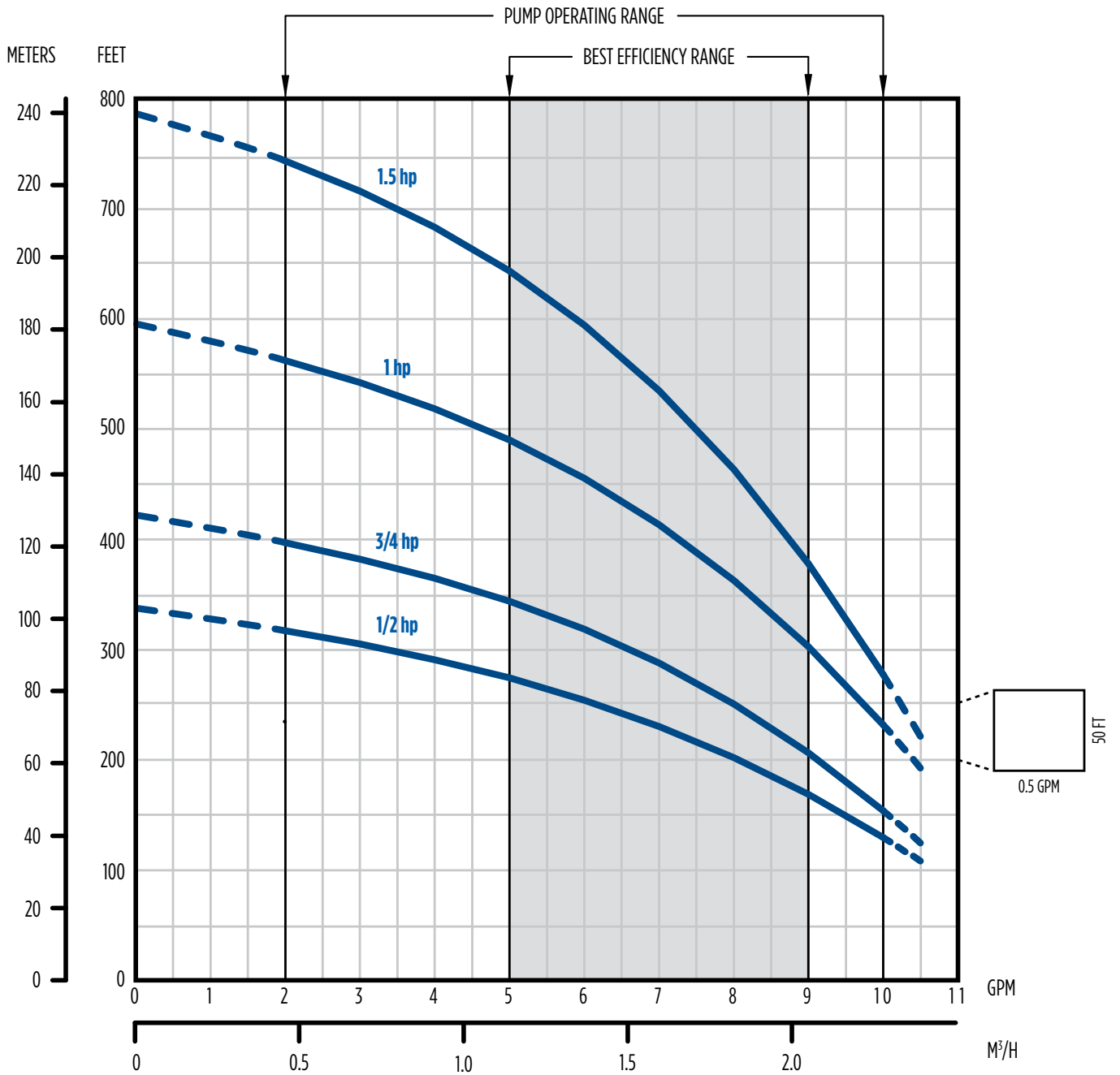
MULTI-STAGE PUMPS

BT4 HORIZONTAL SERIES



PERFORMANCE

7 GPM



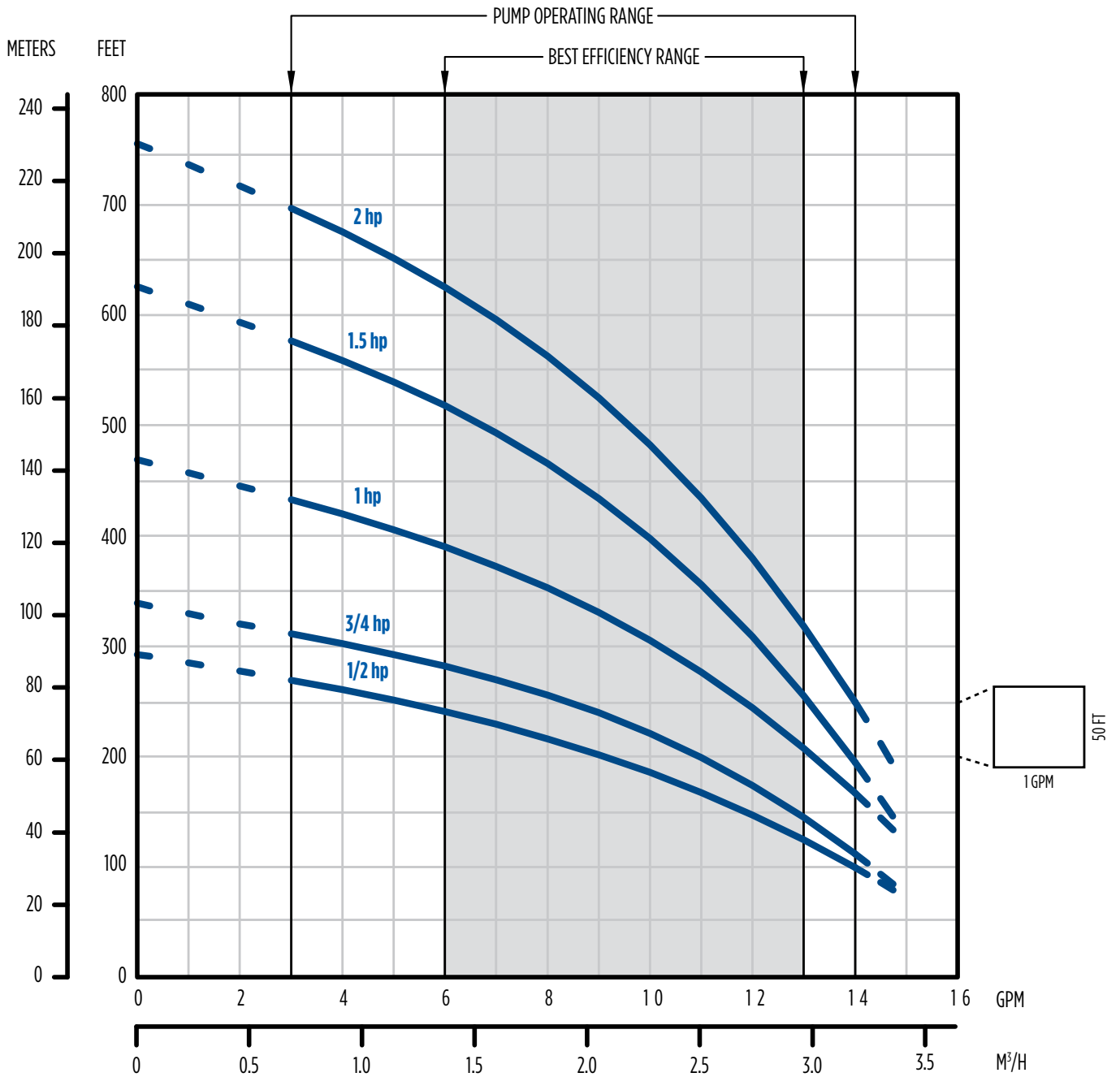
MULTI-STAGE PUMPS

BT4 HORIZONTAL SERIES



PERFORMANCE

10 GPM



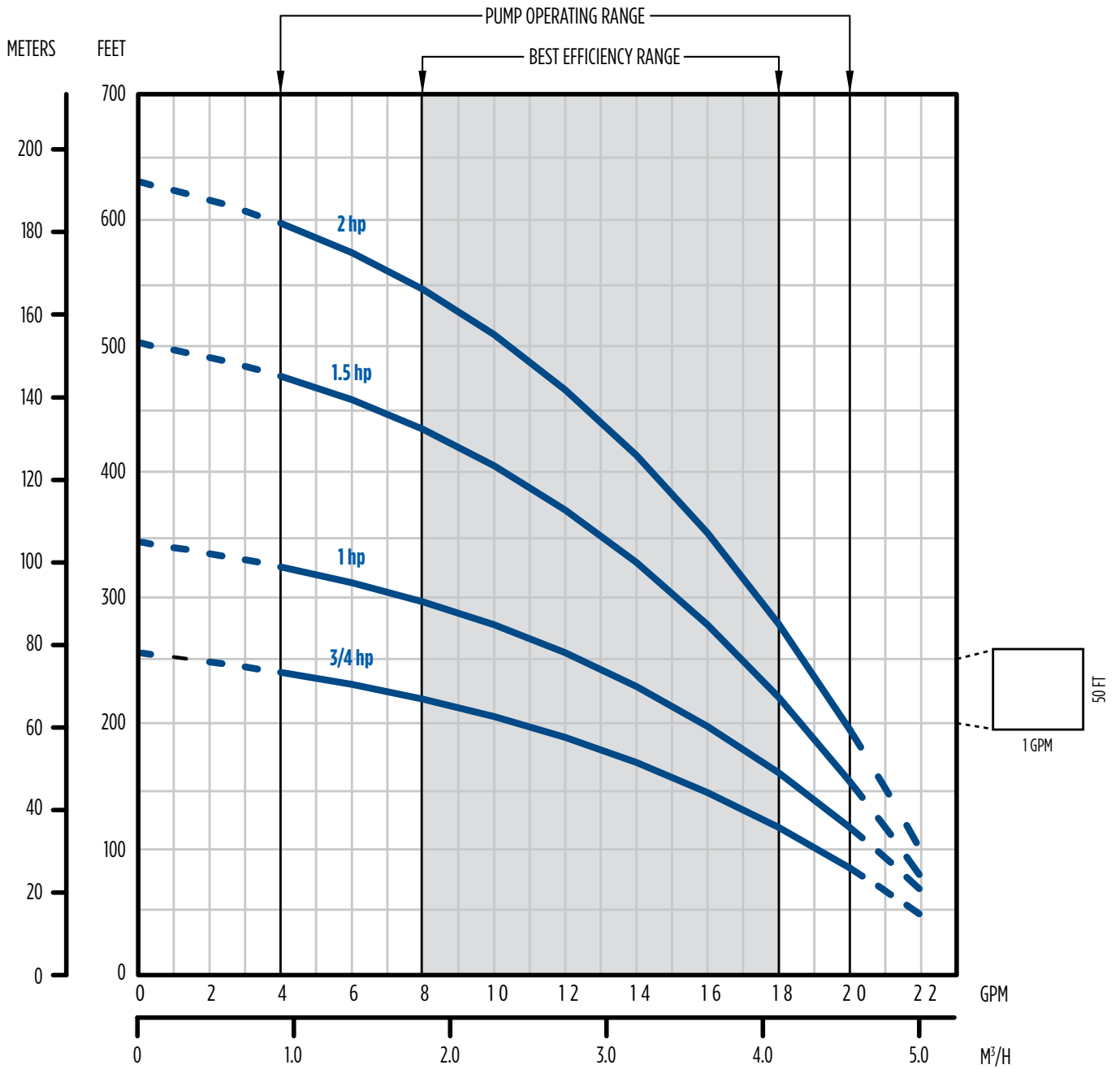
MULTI-STAGE PUMPS

BT4 HORIZONTAL SERIES



PERFORMANCE

15 GPM



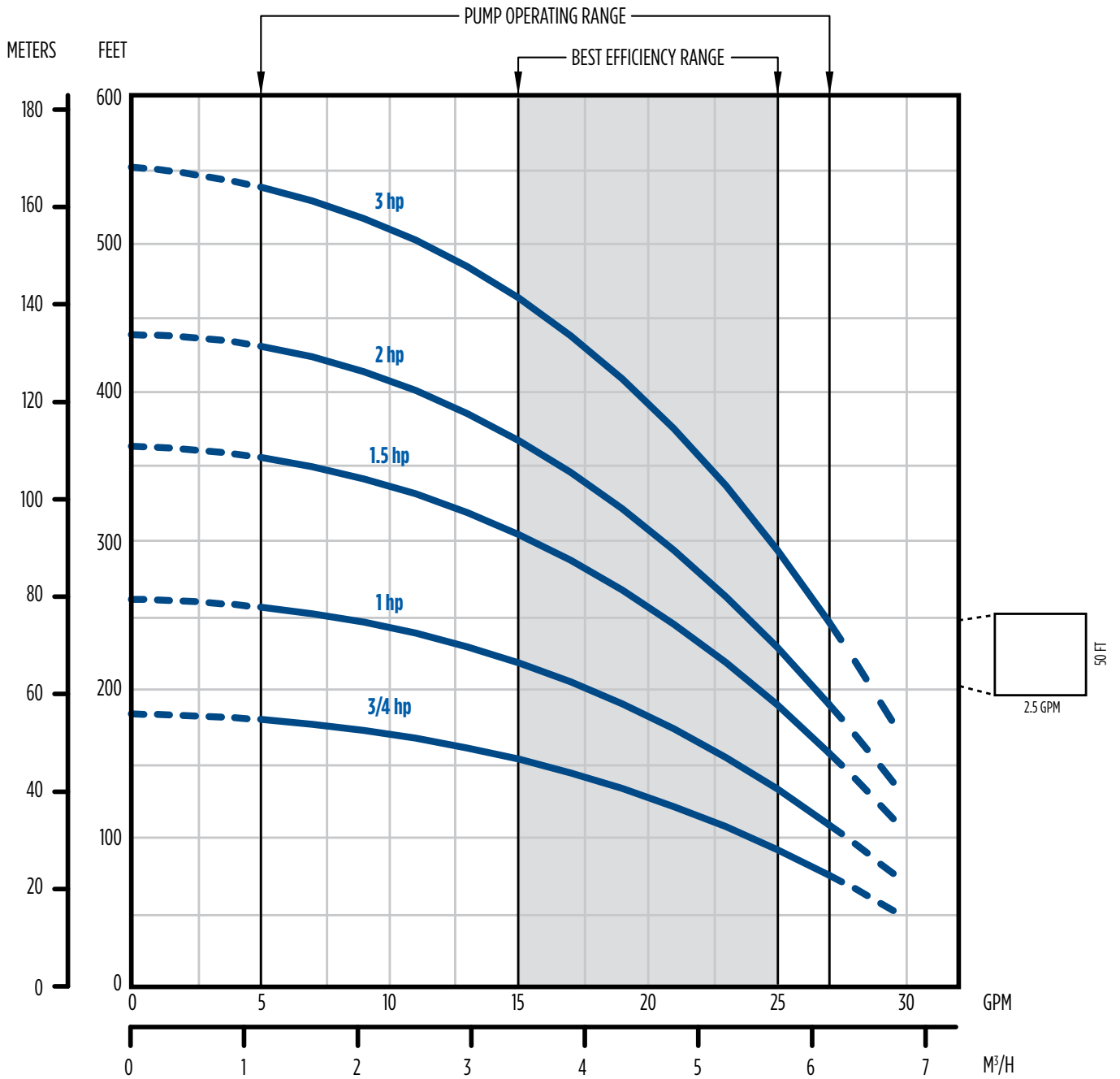
MULTI-STAGE PUMPS

BT4 HORIZONTAL SERIES



PERFORMANCE

20 GPM



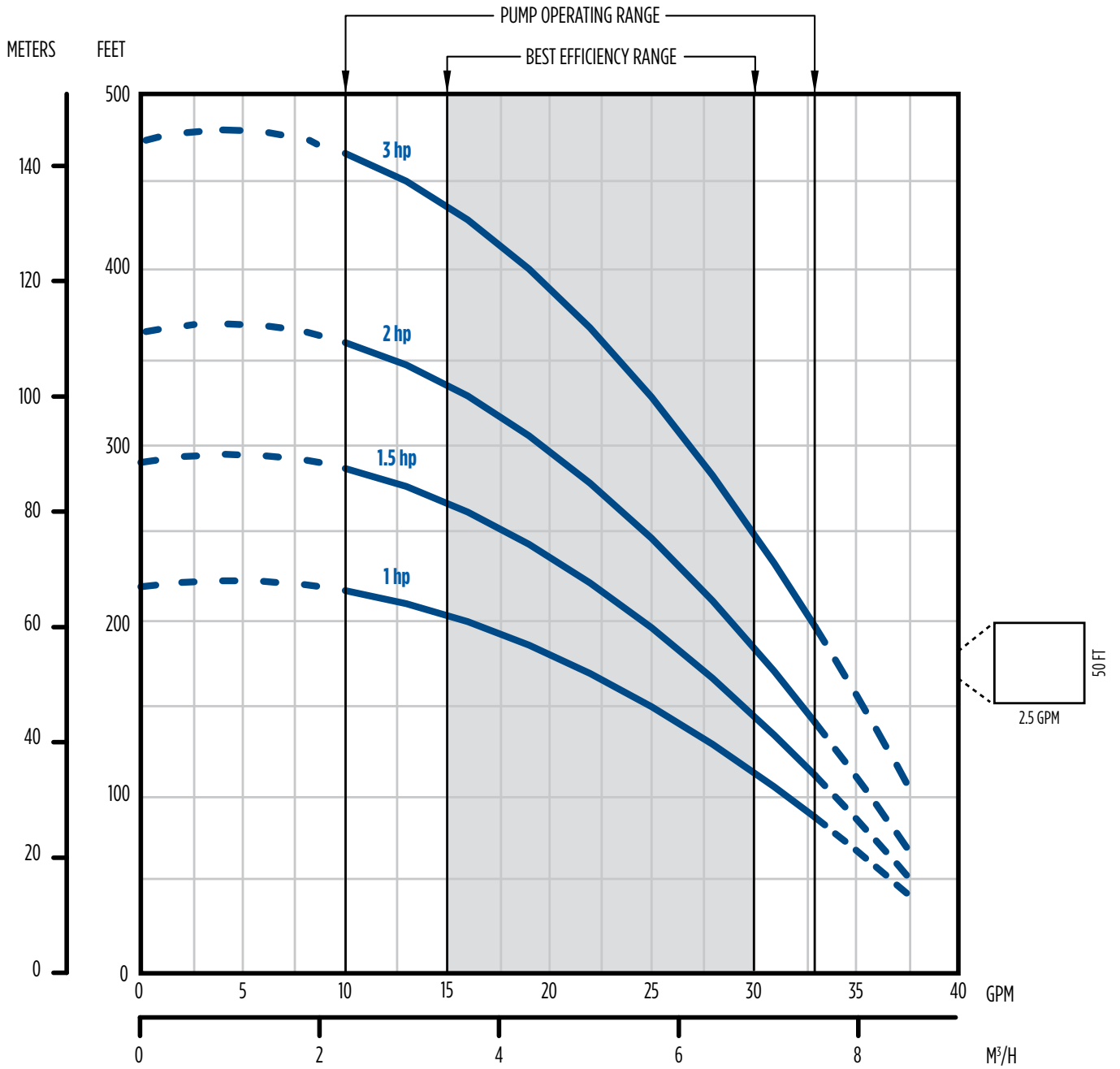
MULTI-STAGE PUMPS

BT4 HORIZONTAL SERIES



PERFORMANCE

25 GPM



MULTI-STAGE PUMPS

BT4 HORIZONTAL SERIES



ORDER INFORMATION: SINGLE-PHASE

STAINLESS STEEL

GPM	HP	Suction / Discharge [in.]	Volts	Model No.	Order No.	Weight [lbs.]
5	1/2	1 x 1	115/230	5FBT05S4	95830510	37
	3/4		115/230	5FBT07S4	95830515	41
	1		115/230	5FBT1S4	95830520	46
7	1/2		115/230	7FBT05S4	95830710	37
	3/4		115/230	7FBT07S4	95830715	40
	1		115/230	7FBT1S4	95830720	46
10	1.5		115/230	7FBT15S4	95830725	53
	1/2		115/230	10FBT05S4	95831010	37
	3/4		115/230	10FBT07S4	95831015	39
	1		115/230	10FBT1S4	95831020	45
	1.5		115/230	10FBT15S4	95831025	52
	2		115/230	10FBT2S4	95831030	56
15	3/4		115/230	15FBT07S4	95831515	39
	1		115/230	15FBT1S4	95831520	44
	1.5		115/230	15FBT15S4	95831525	49
	2	115/230	15FBT2S4	95831530	55	
20	3/4	115/230	20FBT07S4	95832015	39	
	1	115/230	20FBT1S4	95832020	44	
	1.5	115/230	20FBT15S4	95832025	51	
	2	115/230	20FBT2S4	95832030	55	
	3	230	20FBT3S4	95832035	67	
25	1	115/230	25FBT1S4	95832520	44	
	1.5	115/230	25FBT15S4	95832525	48	
	2	115/230	25FBT2S4	95832530	54	
	3	230	25FBT3S4	95832535	66	

Note: Includes Viton® mechanical seal and high service factor motor. Viton® is a Registered Trademark of E. I. du Pont de Nemours and Company.

ORDER INFORMATION: SINGLE-PHASE

CAST IRON

GPM	HP	Suction/Discharge [in.]	Volts	Model No.	Order No.	Weight [lbs.]
5	1/2	1 x 1	115/230	5FBT05C4	95880505	36
	3/4		115/230	5FBT07C4	95880510	40
	1		115/230	5FBT1C4	95880515	43
7	1/2		115/230	7FBT05C4	95880705	36
	3/4		115/230	7FBT07C4	95880710	40
	1		115/230	7FBT1C4	95880715	43
10	1.5		115/230	7FBT15C4	95880720	48
	1/2		115/230	10FBT05C4	95881005	35
	3/4		115/230	10FBT07C4	95881010	39
15	1		115/230	10FBT1C4	95881015	42
	1.5		115/230	10FBT15C4	95881020	48
	2		115/230	10FBT2C4	95881025	55
	3/4		115/230	15FBT07C4	95881510	39
20	1		115/230	15FBT1C4	95881515	41
	1.5		115/230	15FBT15C4	95881520	47
	2	115/230	15FBT2C4	95881525	52	
25	3/4	115/230	20FBT07C4	95882010	39	
	1	115/230	20FBT1C4	95882015	41	
	1.5	115/230	20FBT15C4	95882020	47	
	2	115/230	20FBT2C4	95882025	54	
25	3	230	20FBT3C4	95882035	70	
	1	115/230	25FBT1C4	95882515	41	
	1.5	115/230	25FBT15C4	95882520	46	
	2	115/230	25FBT2C4	95882525	51	
	3	230	25FBT3C4	95882535	69	

MULTI-STAGE PUMPS

BT4 HORIZONTAL SERIES



ORDER INFORMATION: THREE-PHASE

STAINLESS STEEL

GPM	HP	Suction / Discharge [in.]	Volts	Model No.	Order No.	Weight [lbs.]
5	1/2	1 x 1	208-230/460	5FBT05S4-T	95830555	37
	3/4			5FBT07S4-T	95830560	41
	1			5FBT1S4-T	95830565	46
7	1/2			7FBT05S4-T	95830755	37
	3/4			7FBT07S4-T	95830760	40
	1			7FBT1S4-T	95830765	46
	1.5			7FBT15S4-T	95830770	53
10	1/2			10FBT05S4-T	95831055	37
	3/4			10FBT07S4-T	95831060	39
	1			10FBT1S4-T	95831065	45
	1.5			10FBT15S4-T	95831070	52
	2			10FBT2S4-T	95831075	56
	15			3/4	15FBT07S4-T	95831560
1				15FBT1S4-T	95831565	44
1.5				15FBT15S4-T	95831570	49
2				15FBT2S4-T	95831575	55
20	3/4			20FBT07S4-T	95832060	39
	1			20FBT1S4-T	95832065	44
	1.5			20FBT15S4-T	95832070	51
	2			20FBT2S4-T	95832075	55
	3			20FBT3S4-T	95832080	67
	25			1	25FBT1S4-T	95832565
1.5				25FBT15S4-T	95832570	48
2				25FBT2S4-T	95832575	54
3		25FBT3S4-T	95832580	66		

ORDER INFORMATION

PUMP ENDS

GPM	HP	Suction / Discharge [in.]	Volts	Model No.	Order No.	Weight [lbs.]	
5	1/3	1 x 1	115/230	5BT03S4-PE	95920507	18	
	1/2		115/230	5BT05S4-PE	95920509	19	
	3/4		115/230	5BT07S4-PE	95920512	20	
	1		115/230	5BT1S4-PE	95920515	21	
7	1/2		115/230	7BT05S4-PE	95920708	18	
	3/4		115/230	7BT07S4-PE	95920710	19	
	1		115/230	7BT1S4-PE	95920714	20	
7	1.5		115/230	7BT15S4-PE	95920719	24	
	10		1/2	115/230	10BT05S4-PE	95921007	18
			3/4	115/230	10BT07S4-PE	95921008	19
10	1		115/230	10BT1S4-PE	95921011	20	
	1.5		115/230	10BT15S4-PE	95921015	23	
	2		115/230	10BT2S4-PE	95921018	24	
	15		3/4	115/230	15BT07S4-PE	95921506	18
1			115/230	15BT1S4-PE	95921508	19	
1.5			115/230	15BT15S4-PE	95921512	20	
2			115/230	15BT2S4-PE	95921515	23	
20	3/4		115/230	20BT07S4-PE	95922005	18	
	1		115/230	20BT1S4-PE	95922007	19	
	1.5		115/230	20BT15S4-PE	95922010	20	
	2		115/230	20BT2S4-PE	95922012	23	
	3		230	20BT3S4-PE	95922015	24	
25	1		115/230	25BT1S4-PE	95922506	18	
	1.5		115/230	25BT15S4-PE	95922508	19	
	2	115/230	25BT2S4-PE	95922510	20		
	3	230	25BT3S4-PE	95922513	24		

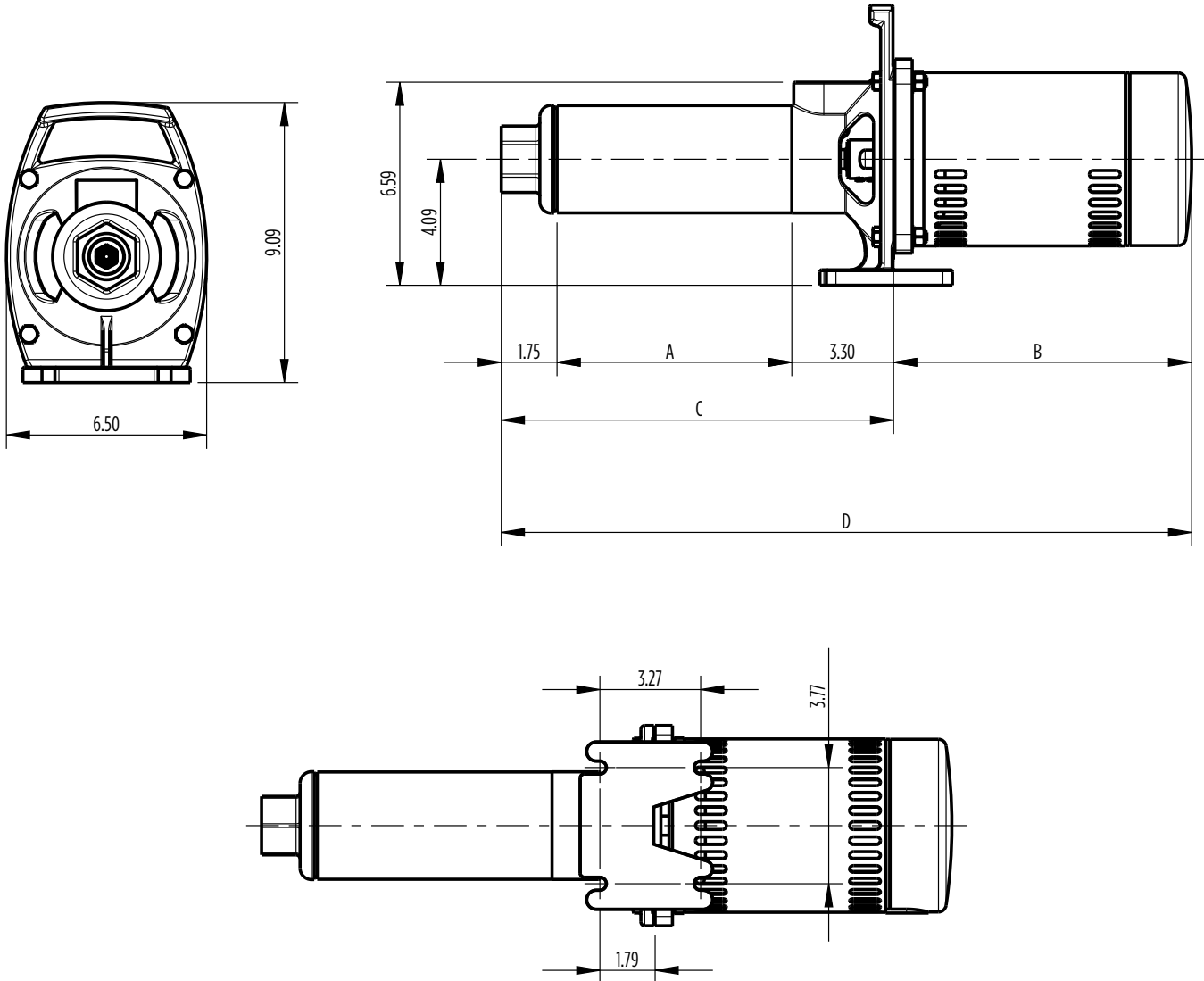
Note: Pump ends utilize 56C frame keyed-shaft motors. BT4 pump ends are stainless steel construction.

MULTI-STAGE PUMPS

BT4 HORIZONTAL SERIES



DIMENSIONS



MULTI-STAGE PUMPS

BT4 HORIZONTAL SERIES



DIMENSIONS

GPM	HP	STAGE	A	B	C	D
5	0.33	7	8.44	9.63	13.49	23.12
	0.5	9	10.09	10.38	15.14	25.52
	0.7	12	12.55	11.00	17.60	28.60
	1.0	15	15.01	11.88	20.06	31.94
7	0.33	6	7.62	9.63	12.67	22.30
	0.5	8	9.26	10.38	14.31	24.69
	0.7	10	10.91	11.00	15.96	26.96
	1.0	14	14.19	11.88	19.24	31.12
	1.5	19	18.30	12.63	23.35	35.98
10	0.33	5	7.2	9.63	12.27	21.90
	0.5	7	9.02	10.38	14.07	24.45
	0.7	8	9.93	11.00	14.98	25.98
	1.0	11	12.64	11.88	17.69	29.57
	1.5	15	16.26	12.63	21.31	33.94
	2.0	18	18.97	12.63	24.02	36.65
15	0.5	5	7.22	10.38	12.27	22.65
	0.7	6	8.12	11.00	13.17	24.17
	1.0	8	9.93	11.88	14.98	26.86
	1.5	12	13.54	12.63	18.59	31.22
	2.0	15	16.26	12.63	21.31	33.94
20	0.5	4	7.59	10.38	12.64	23.02
	0.7	5	8.82	11.00	13.87	24.87
	1.0	7	11.26	11.88	16.31	28.19
	1.5	10	14.94	12.63	19.99	32.62
	2.0	12	17.38	12.63	22.43	35.06
	3.0	15	21.06	13.18	26.11	39.29
25	0.7	4	7.59	11.00	12.64	23.64
	1.0	6	10.04	11.88	15.09	26.97
	1.5	8	12.49	12.63	17.54	30.17
	2.0	10	14.94	12.63	19.99	32.62
	3.0	13	18.61	13.18	23.66	36.84

MOTOR SPECIFICATIONS

Enclosure	HP	Phase	Voltage	SF Rating	Frame	FLA	SFA
ODP	1/2	1	115/230	1.9	48Y	9.0/4.5	12.4/6.2
		3	208-230/460	1.9	48Y	3.0/1.5	-
	3/4	1	115/230	1.65	48Y	10.2/5.6	14.8/7.4
		3	208-230/460	1.65	48Y	3.6/1.8	-
	1	1	115/230	1.65	48Y	14.2/7.1	19.9/9.5
		3	208-230/460	1.65	48Y	4.7/2.35	-
	1.5	1	115/230	1.47	48Y	17.6/8.8	24.0/12.0
		3	208-230/460	1.47	48Y	6.8/3.4	-
	2	1	115/230	1.25	48Y	18.0/9.0	24.0/12.0
		3	208-230/460	1.3	48Y	8.5/4.25	-
	3	1	208-230	1.15	Y56Y	13.4-11.5	15.0-13.3
		3	208-230/460	1.15	Y56Y	10.0/5.0	-

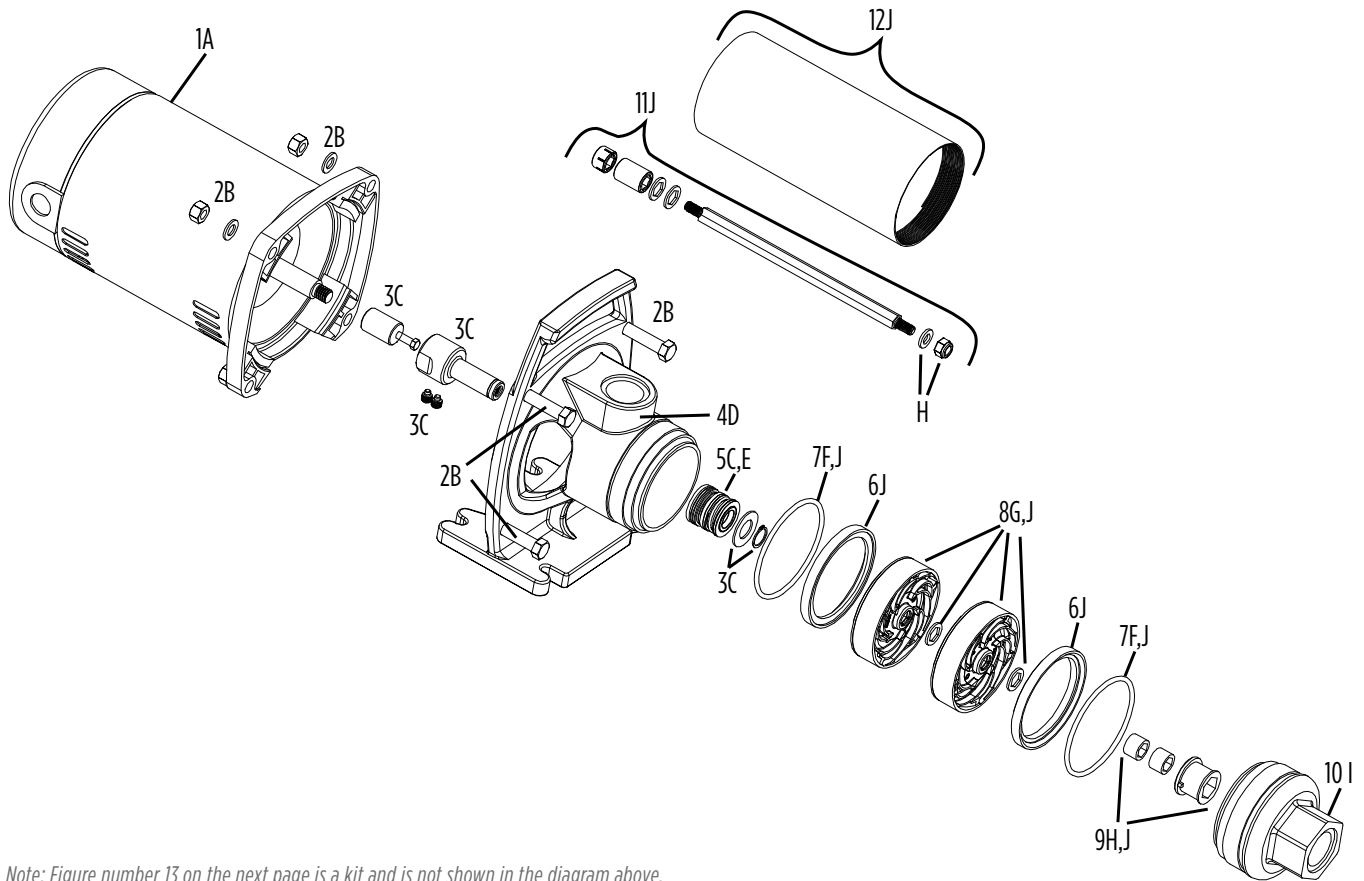
Note: Every attempt has been made to provide the most current and accurate information possible. It is essential for the installing contractor to confirm the motor nameplate data before installation.

MULTI-STAGE PUMPS

BT4 HORIZONTAL SERIES



EXPLODED PARTS



Note: Figure number 13 on the next page is a kit and is not shown in the diagram above.

MULTI-STAGE PUMPS

BT4 HORIZONTAL SERIES



EXPLODED PARTS

Fig. No.	Description	Material	Kit ^(a) Group No.	Repair Part Order Codes by Motor Size						
				1/3 HP (1.95SF)	1/2 HP (1.90 SF)	3/4 HP (1.65 SF)	1.0 HP (1.65 SF)	1.5 HP (1.47 SF)	2.0 HP (1.25 SF)	3.0 HP (1.15 SF)
1	Single-phase Motor ^(d)	-	A	-	305374903	305374906	305374907	305374909	305374911	305374912
	Three-phase Motor ^(d)	-		-	305374954	305374955	305374956	305374957	305374958	305374959
2	Fastener Kit ^(d)	-	B	305421901						
3	Coupling Kit ^{(b)(d)}	Stainless Steel	C	305421902						
		Brass		305421903						
3	Coupling Kit ^{(b)(e)}	Stainless Steel	C	305421001						
4	Pump/Motor Bracket ^(d)	Stainless Steel	D	305421904						
		Cast Iron		305421905						
4	Pump/Motor Bracket ^(e)	Stainless Steel	D	305421002						
5	Mechanical Seal ^(d)	Viton	E	305421906						
		Buna		305421907						
5	Mechanical Seal ^(e)	Viton	E	305421003						
6	Suction/Discharge Spacers	Not available as separate components. Included in the hydraulic overhaul kit only.								
7	O-ring Set	-	F	305421908						
8	Stage Assembly	-	-	-	-	-	-	-	-	-
	5 gpm	-	G	305404911						
	7 gpm	-		305404912						
	10 gpm	-		305404913						
	15 gpm	-		305404914						
	20 gpm	-		305404915						
25 gpm	-	305404916								
9	Top Bearing	-	H	305421909						
10	Discharge Head	-	I	305421910						
11	Pump Shaft + Hardware	Not available as separate components. Included in the hydraulic overhaul kit only.								
12	Pump Shell	Not available as separate components. Included in the hydraulic overhaul kit only.								
13	Hydraulic Overhaul Kit ^(c)	-	-	-	-	-	-	-	-	-
	5 gpm	-	J	305422901	305422902	305422903	305422904	-	-	-
	7 gpm	-		305422001	305422905	305422906	305422907	305422908	-	-
	10 gpm	-		305422002	305422909	305422910	305422911	305422912	305422913	-
	15 gpm	-		-	305422003	305422914	305422915	305422916	305422917	-
	20 gpm	-		-	304422004	305422918	305422919	305422920	305422921	305422922
25 gpm	-	-		-	305422005	305422923	305422924	305422925	305422926	
13	Hydraulic Overhaul Kit ^(c)	-	-	-	-	-	-	-	-	-
	5 gpm	Stage Count Reference	7	9	12	15	-	-	-	
	7 gpm		6	8	10	14	19	-	-	
	10 gpm		5	7	8	11	15	18	-	
	15 gpm		-	5	6	8	12	15	-	
	20 gpm		-	4	5	7	10	12	15	
25 gpm	-		-	4	6	8	10	13		

- (a) Items with like identifiers are sold/packaged together.
- (b) Coupling kit ships with mechanical seal.
- (c) Hydraulic overhaul kit is the combination of figure numbers 6, 7, 8, 9, 11, and 12.
- (d) Square flange pump mounting.
- (e) 56C pump end mounting.

NOTES

BT4 HORIZONTAL SERIES



NOTES

BT4 HORIZONTAL SERIES



