

Motors

Drives

Controls

Protection

SERIES 600M

4" SUBMERSIBLE MOTORS



SERIES 600M

4" SUBMERSIBLE MOTORS

A Tough Motor For Demanding Applications

Rugged and dependable, Franklin Electric's Series 600M motors are designed specifically to handle the heavy sediment and unique water chemistries often present in fountain applications. Featuring corrosion-resistant construction materials to withstand harsh conditions, Series 600M motors offer the same reliable performance found in standard Franklin motors.

Franklin Electric Series 600M motors are available in a variety of ratings to handle most North American installations.

Ratings

- Single-Phase 3/4 - 5 hp, 230 V, 60 Hz
- Three-Phase 3/4 - 5 hp, 230/460/380 V, 60 Hz

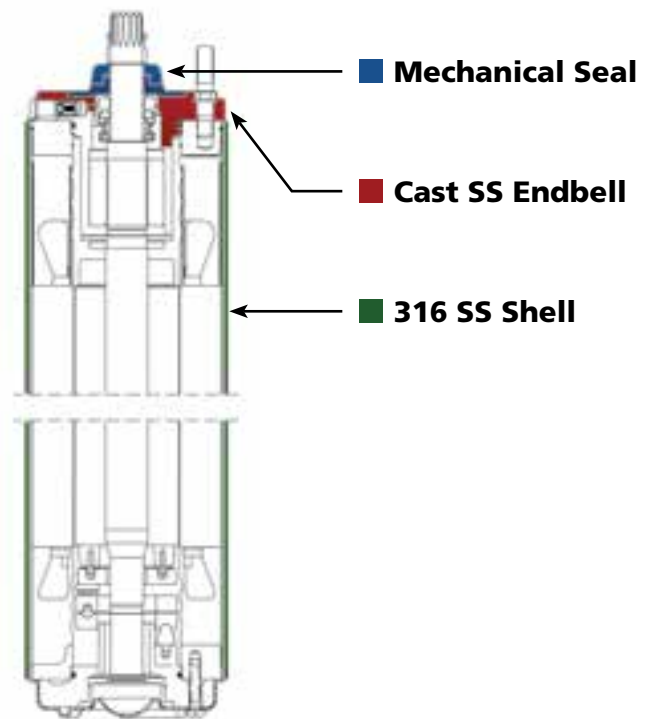
Features

- Mechanical Seal
- Corrosion-Resistant Construction
- Stainless Steel Splined Shaft
- Hermetically-Sealed Windings
- Anti-Track Self-Healing Resin System
- Water Lubricated Bearings
- Filter Check Valve
- Kingsbury-Type Thrust Bearing
- Pressure Equalizing Diaphragm
- Removable Water-Bloc™ Lead in Clamp Design
- NEMA Pump Mounting Dimensions
- UL 778 Recognized
- CSA C22.2 #108 Certified

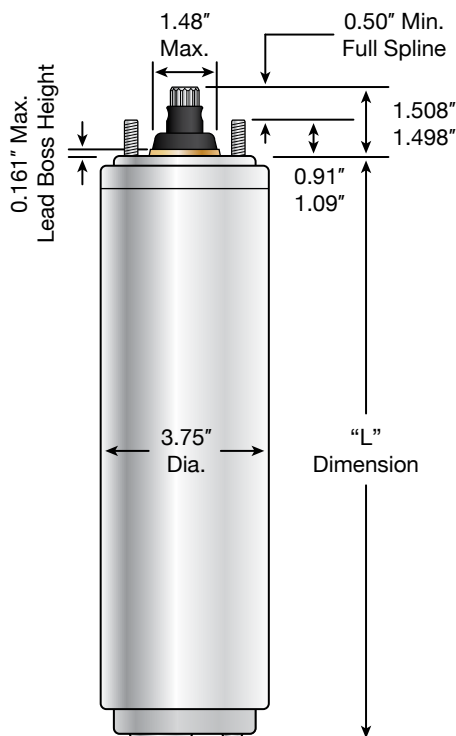


Construction Materials

Component	Series 600M
Top Casting	303 SS
Bottom Casting	303 SS Over Iron, Painted Cast Iron
Stator Shell	316 SS
Stator Ends	Low Carbon Steel
Shaft Extension	17-4 SS
Fasteners	300 Series SS
Seal Cover	Sintered Bronze
Seal	Mech Seal SiC/SiC
Diaphragm	Nitrile Rubber
Diaphragm Cup	316 SS
Diaphragm Spring	316 SS
Diaphragm Cover	Gray Iron
Slinger	Nitrile Rubber
Lead Wire (or Cable)	XLPE*
Lead Potting	Epoxy
Lead Screws/Clamp	316 SS
Filter	Delrin & Polyester
Lead	Water-Bloc™ (Clamp Style)



Dimensions & Weight



HP	kW	"L" Dimension (in)	Shipping Weight	
			lbs.	kgs.
3/4	0.55	11.12	21	9.5
1	0.75	12.21	24	10.9
1.5	1.1	12.21	24	10.9
2	1.5	14.09	28	12.7
3	2.2	16.04	35	15.9
3 (HT)	2.2	20.20	44	20.0
5 (HT)	3.7	23.20	56	25.4

* Removable type, factory-installed in 60 Hz and dual frequency rated water well motors. Consult catalog for additional leads. Specifications subject to change without notice. Contact Franklin Electric if current material types are required for bid specifications.

Specifications

Single-Phase

HP	Voltage	HZ	SF Amps	Thrust Rating	Model
3/4	230	60	8.0	300	214 507 0600
1	230	60	9.8	650	214 508 0610
1.5	230	60	11.5	650	224 300 0610
2	230	60	13.2	650	224 301 0610
3	230	60	17.0	900	224 302 0620
	230	60	17.0	1500	224 302 0630
5	230	60	27.5	1500	224 303 0630

Three-Phase

HP	Voltage	HZ	SF Amps	Thrust Rating	Model
3/4	230	60	2.5	300	234 512 0600
	460	60	1.9	300	234 522 0600
1	230	60	4.7	650	234 513 0610
	460	60	2.4	650	234 523 0610
1.5	230	60	5.9	650	234 514 0610
	460/380	60	3.1	650	234 524 0610
2	230	60	8.1	650	234 315 0610
	460/380	60	4.1	650	234 325 0610
3	230	60	10.9	900	234 316 0620
	460/380	60	5.5	900	234 326 0620
	230	60	10.9	1500	234 316 0630
5	460/380	60	5.5	1500	234 326 0630
	230	60	17.8	1500	234 317 0630
	460/380	60	8.9	1500	234 327 0630



Franklin Electric

9255 Coverdale Road, Fort Wayne, Indiana 46809

Tel: 260.824.2900 • Fax: 260.824.2909

www.franklinwater.com

