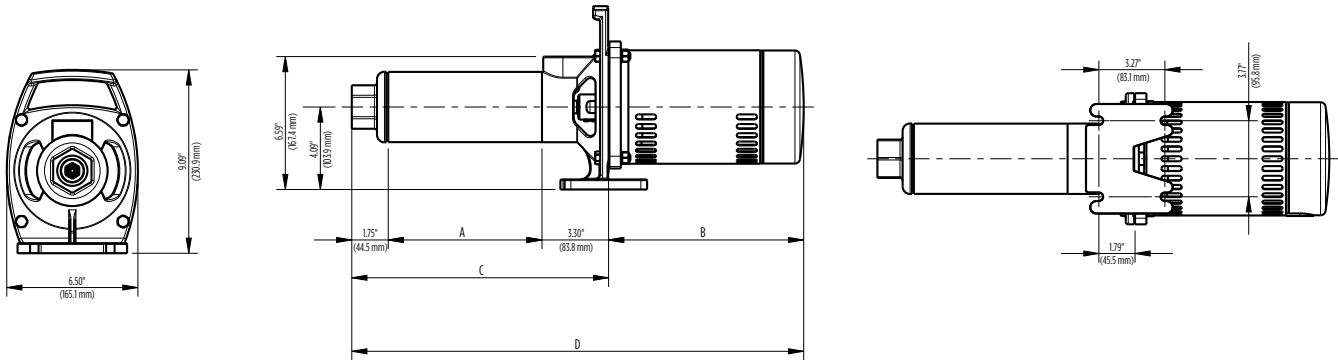


ENGINEERED PRODUCTS

BT4 SERIES HORIZONTAL PUMPS

LINE DRAWINGS



DIMENSIONS

GPM	HP	STAGE	A	B	C	D
5	0.33	7	8.44	9.63	13.49	23.12
	0.5	9	10.09	10.38	15.14	25.52
	0.7	12	12.55	11.00	17.60	28.60
	1.0	15	15.01	11.88	20.06	31.94
7	0.33	6	7.62	9.63	12.67	22.30
	0.5	8	9.26	10.38	14.31	24.69
	0.7	10	10.91	11.00	15.96	26.96
	1.0	14	14.19	11.88	19.24	31.12
	1.5	19	18.30	12.63	23.35	35.98
10	0.33	5	7.2	9.63	12.27	21.90
	0.5	7	9.02	10.38	14.07	24.45
	0.7	8	9.93	11.00	14.98	25.98
	1.0	11	12.64	11.88	17.69	29.57
	1.5	15	16.26	12.63	21.31	33.94
	2.0	18	18.97	12.63	24.02	36.65
15	0.5	5	7.22	10.38	12.27	22.65
	0.7	6	8.12	11.00	13.17	24.17
	1.0	8	9.93	11.88	14.98	26.86
	1.5	12	13.54	12.63	18.59	31.22
	2.0	15	16.26	12.63	21.31	33.94
20	0.5	4	7.59	10.38	12.64	23.02
	0.7	5	8.82	11.00	13.87	24.87
	1.0	7	11.26	11.88	16.31	28.19
	1.5	10	14.94	12.63	19.99	32.62
	2.0	12	17.38	12.63	22.43	35.06
	3.0	15	21.06	13.18	26.11	39.29
25	0.7	4	7.59	11.00	12.64	23.64
	1.0	6	10.04	11.88	15.09	26.97
	1.5	8	12.49	12.63	17.54	30.17
	2.0	10	14.94	12.63	19.99	32.62
	3.0	13	18.61	13.18	23.66	36.84

All measurements are in inches.