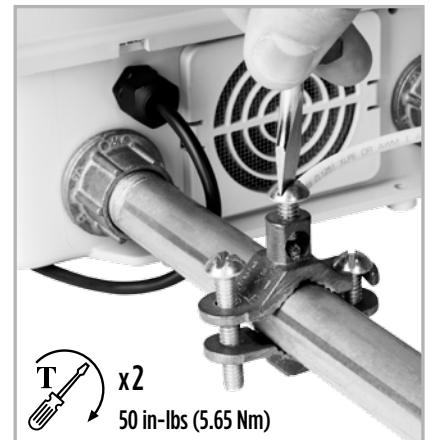
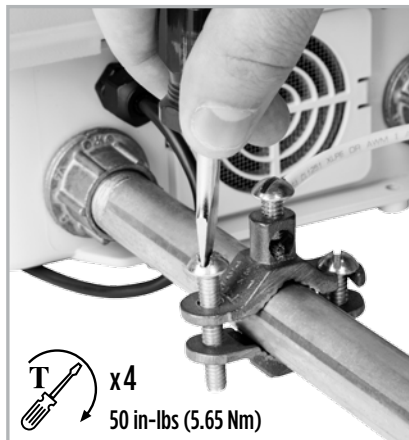
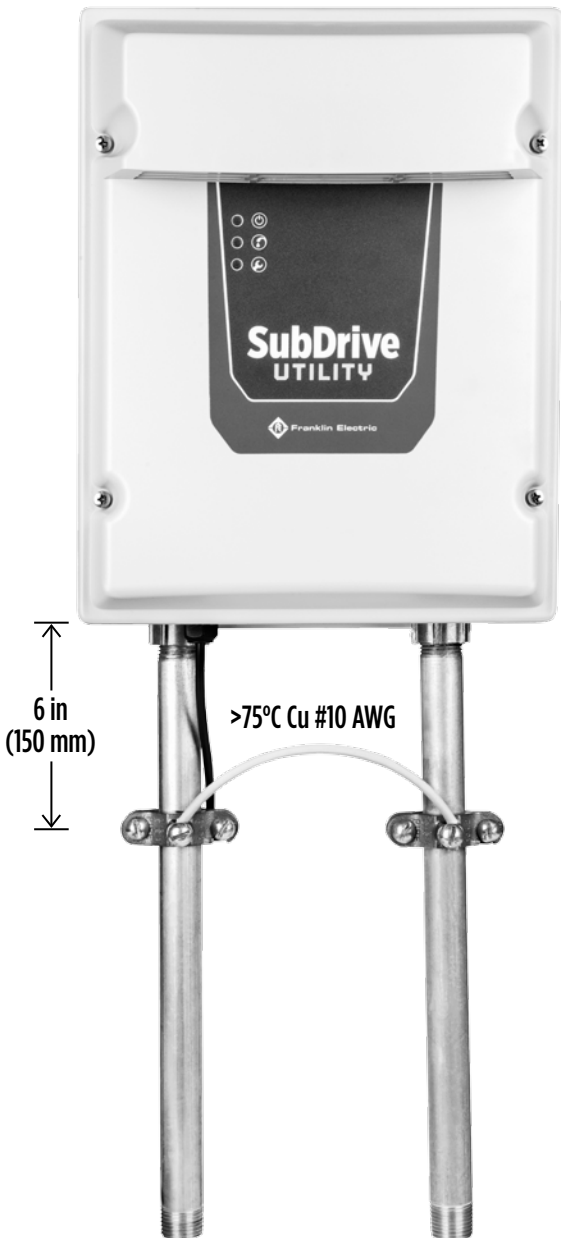


# SubDrive Utility Grounding Kit

Install Guide For Rigid Metallic Conduit



Form 224476110  
Rev. 0  
08/17



**Franklin Electric**

9255 Coverdale Road, Fort Wayne, IN 46809  
Tel: 260.824.2900 Fax: 260.824.2909  
www.franklinwater.com