

Constant Pressure Water System

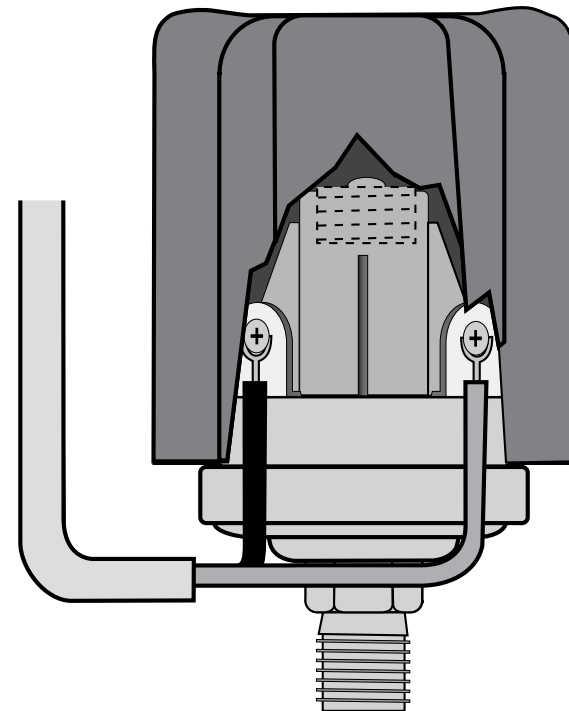
SubDrive300 Pressure Sensor Kit

P/N 225495901



Franklin Electric

400 E. Spring St. Bluffton, IN 46714
Tel: 260.824.2900 • Fax: 260.824.2909
www.franklin-electric.com



Franklin Electric



225404101
Rev. 2
02.13

Constant Pressure Water System Pressure Sensor Kit

Description

The pressure sensor kit includes a pressure sensor, pressure shut-off sensor, pressure sensor boots, a small screwdriver with Allen wrench, and a 10' cable

Instructions for installing the pressure sensor and pressure shut-off switch are in the SubDrive300 Manual, which describes the necessary precautions and guidelines.

The basic steps for installing the pressure sensor and pressure shut-off switch are also noted here for convenience.

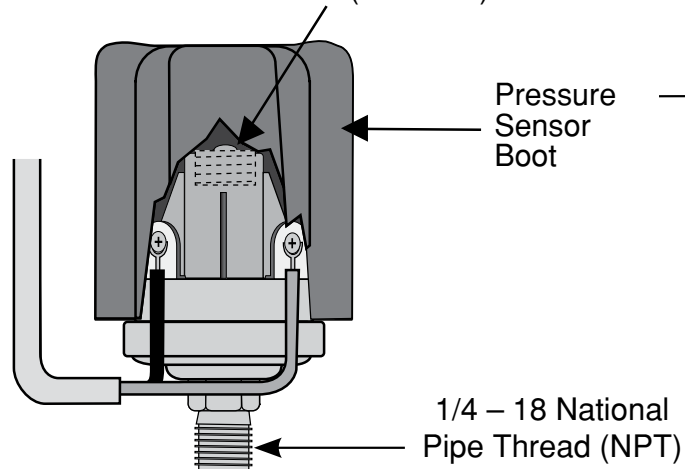
- 1) Disconnect power to the SubDrive300, and allow at least 5 minutes for the bus capacitors in the drive to discharge.
- 2) Discharge the pressure from the water system by opening a faucet.
- 3) Remove the pressure sensor boots. Disconnect the four wires to the present pressure sensor and pressure shut-off sensor and remove the sensors from the plumbing.

- 4) Attach the pressure sensor and pressure shut-off sensor from this kit to the plumbing and connect the four wires. Attach the pressure sensor boots over the sensors.

- 5) Reconnect power to the Drive.

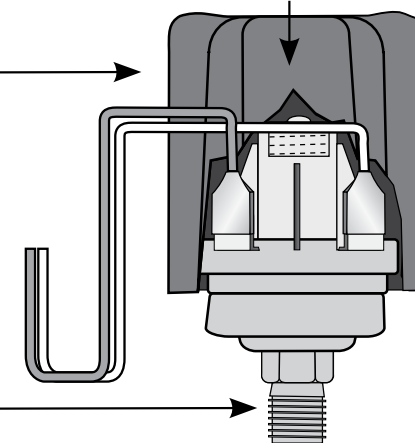
Pressure Setting Guide	
Pressure Sensor Setting (PSI)	Pressure Tank Setting (PSI)
25	18
30	21
35	25
40	28
45	32
50 (Factory set)	35
55	39
60	42
65	46
70	49
75	53
80	56

Remove Rubber End Cap To Adjust Pressure
With 7/32" Allen Wrench (Provided)



Pressure Sensor

Non-Adjustable
Set at 100PSI



Pressure Shut-off Sensor