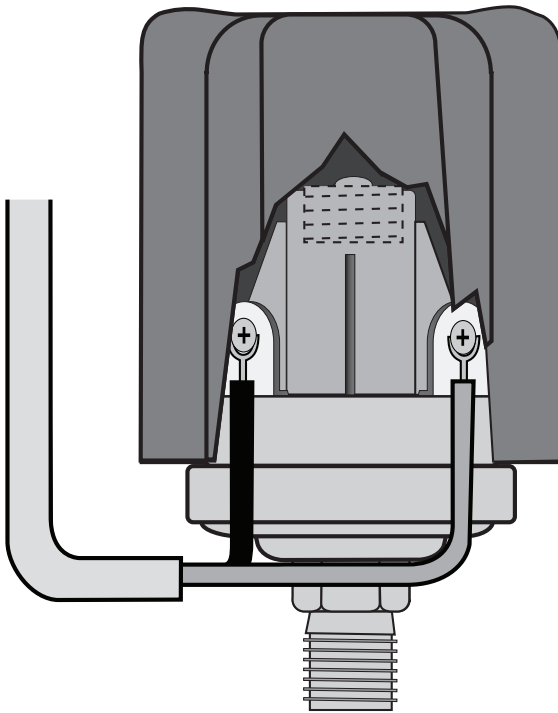


Constant Pressure Water System High Pressure Sensor Kit



Franklin Electric

Description

The high pressure sensor kit includes an adjustable 75-150 PSI (5.2 -10.3 Bar) high pressure sensor, pressure sensor boot, a small screwdriver with Allen wrench and a cable.



HAZARDOUS PRESSURE: This product will produce higher pressures not suitable for residential applications. Contact the manufacturer of the piping, relief valves, pipe fittings, tanks and other plumbing equipment to verify that pressure rating is acceptable for higher system pressures. Consult Franklin Electric's SubDrive/MonoDrive Installation Manual (M1560) for further instructions, warnings, codes, necessary precautions and additional guidelines.

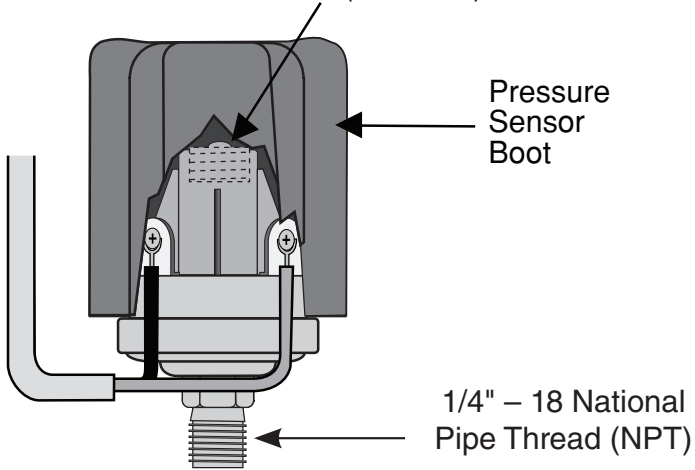
Basic Installation (Adjustment Steps)

1. Disconnect power to the current drive system and allow at least 5 minutes for the electricity to discharge.
 2. Shut off incoming water supply and/or relieve plumbing pressure from the water system. This can be done by opening a faucet.
 3. Install the pressure sensor into the plumbing and connect the wiring to the drive's pressure sensor terminals.
 4. Remove rubber end cap. (See Diagram A)
 5. Using a 7/32" Allen wrench (provided), turn the adjustment screw clockwise to increase pressure and counterclockwise to decrease pressure [1/4 turn = ~12 PSI (0.83 Bar)].
 6. Replace the rubber end cap.
 7. Cover the pressure sensor terminals with the provided pressure sensor boot.
-

Constant Pressure Water System

High Pressure Sensor Kit

Remove Rubber End Cap To Adjust Pressure
With 7/32" Allen Wrench (Provided)



Pressure Sensor - Diagram A

Pressure Sensor Setting (PSI)	Pressure Tank Setting (PSI)*	Pressure Sensor Setting (Bar)	Pressure Tank Setting (Bar)*
75	53	5.2	3.7
80	56	5.5	3.9
85	60	5.9	4.1
90	63	6.2	4.3
95	67	6.6	4.6
100 (Factory Set)	70	6.9	4.8
105	74	7.2	5.1
110	74	7.6	5.3
115	81	7.9	5.6
120	84	8.3	5.8
125	88	8.6	6.1
130	91	9.0	6.3
140	98	9.7	6.8
145	102	10.0	7.0
150	105	10.3	7.2

* Please verify with the tank manufacturer that the tank is rated to work with higher pressures.



225970101
Rev. 1
02.13



Franklin Electric

400 E. Spring St., Bluffton, IN 46714
Phone: 260.824.2900 · Fax: 260.824.2909
www.franklin-electric.com