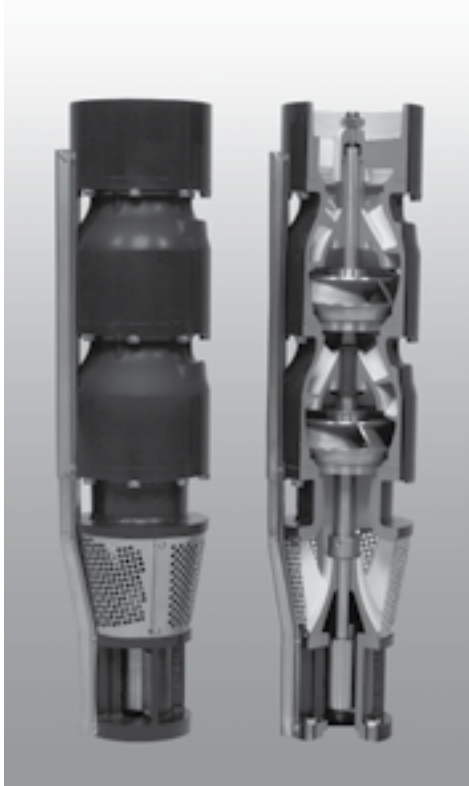


Submersible Turbine Pumps

8" Submersible Turbine Pump

700 GPM



Features

- Premium ductile iron casting for longer life and higher pressures
- Longer discharge and motor bracket bearings for increased pump life
- Spiral cutlass rubber intermediate bearings designed for abrasive environments
- 416 stainless steel pump shaft ground and polished for maximum durability
- Investment cast stainless steel impellers for maximum abrasion resistance
- Custom pumps available

Specifications

Minimum Well I.D.	8"
Minimum Submergence Above Inlet	10'
Discharge	4" or 6" NPT
Maximum Allowable Amount of Sand	150 ppm

Note: Refer to Franklin Electric AIM data for motor cooling requirements.

Model Number Explanation

Example: 350STS10D8C-0264

- 350 = GPM
- STS = Sub Turbine
- 10 = Horsepower
- D = Ductile Iron
- 8 = 8" Pump
- C = Impeller Trim Configuration
- 02 = Number of Stages
- 6 = 6" Motor Bracket
- 4 = 4" Discharge

Materials of Construction

Part Name	Common Material Name	Material Spec. Number
Discharge Bracket	Ductile Iron	ASTM A536 65-45-12
Top Bowl	Ductile Iron	ASTM A536 65-45-12
Intermediate Bowl	Ductile Iron	ASTM A536 65-45-12
Bearings, Disch. & Suction	Bronze	ASTM 8584 C89835
Impeller	304 Stainless Steel	ASTM A743/A743M CF8
Pump Shaft	416 Stainless Steel	ASTM A582 S41600
Suction Bracket	Ductile Iron	ASTM A536 65-45-12
Bowl Bearing	Rubber	Rubber
Sand Collar	300 Stainless Steel	ASTM A666
Suction Screen	302 Stainless Steel	ASTM A240 S30200
Cable Guard	300 Stainless Steel	ASTM A666
Shaft Coupling	416 Stainless Steel	ASTM A582 S41600
Upthrust Bolt	300 Stainless Steel	ASTM A666
Taper Lock	416 Stainless Steel	ASTM A582 S41600
Bolting	300 Stainless Steel	ASTM A666

Note: Bowl bearing and shaft options available. Contact customer service for available options.

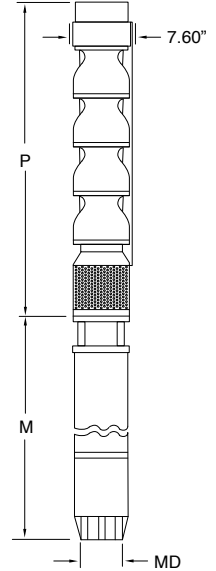
Submersible Turbine Pumps

Model 700STS8 Performance

Dimension Information

HP	Stages	Trim	Motor Size	P	M*	MD*	Motor Wt. lbs.	Pump Wt. lbs.
				inch	inch	inch		
15	1	1C	6"	25.4	28.0	5.44	114	95
20	1	1A	6"	25.4	30.6	5.44	126	95
30	2	1B 1C	6"	32.5	35.7	5.44	154	126
40	2	2A	6"	32.5	40.8	5.44	182	126
40	2	2A	8"	33.9	36.4	7.70	274	149

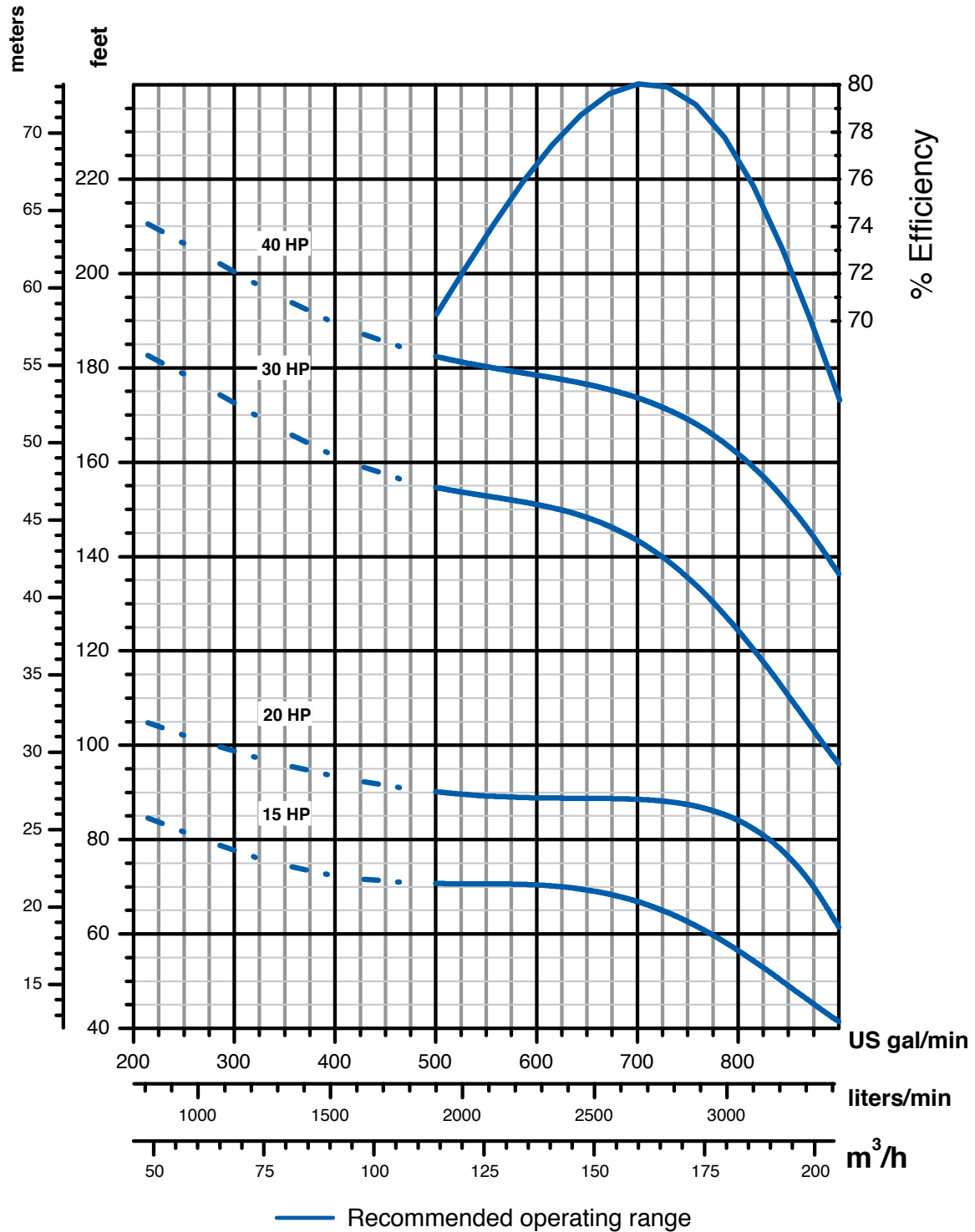
Note: *MD diameter = Franklin Electric Motor, M = Maximum Length of Franklin Electric Motor



Order Information

8" Submersible Turbine Pump Ends								
GPM	HP	Stages	Trim Size	Motor Bracket Size	Discharge Size	Order No.	Model No.	Shipping Weight (lbs.)
700	15	1	1C	6"	4" NPT	97080700001	700STS15D8C-0164	111
	15	1	1C	6"	6" NPT	97080700101	700STS15D8C-0166	111
	20	1	1A	6"	4" NPT	97080700201	700STS20D8A-0164	111
	20	1	1A	6"	6" NPT	97080700301	700STS20D8A-0166	111
	30	2	1B 1C	6"	4" NPT	97080700202	700STS30D8X-0264	144
	30	2	1B 1C	6"	6" NPT	97080700302	700STS30D8X-0266	144
	40	2	2A	6"	4" NPT	97080700402	700STS40D8A-0264	144
	40	2	2A	6"	6" NPT	97080700502	700STS40D8A-0266	144
	40	2	2A	8"	4" NPT	97080700802	700STS40D8A-0284	167
	40	2	2A	8"	6" NPT	97080700902	700STS40D8A-0286	167

Model 700STS8 Performance



Note: Performance based on:
 - Fresh water, 68 °F
 - 6" motor / 3450 rpm



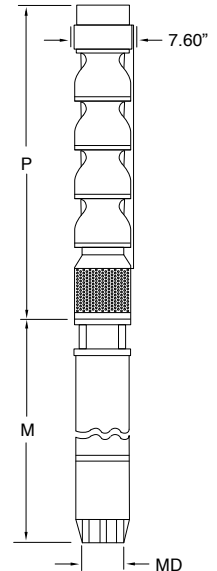
Submersible Turbine Pumps

Model 700STS8 Performance

Dimension Information

HP	Stages	Trim	Motor Size	P	M*	MD*	Motor Wt. lbs.	Pump Wt. lbs.
				inch	inch	inch		
50	3	1A 1B 1C	6"	39.6	55.3	5.44	263	156
50	3	1A 1B 1C	8"	41.0	39.4	7.70	309	180
60	4	2B 2C	6"	46.7	61.3	5.44	291	187
60	4	2B 2C	8"	48.1	42.1	7.70	344	210
75	4	2A 2B	8"	48.1	47.4	7.70	399	210
100	5	5A	8"	55.1	54.9	7.70	481	241
125	7	2A 5B	8"	69.3	68.8	7.70	644	302

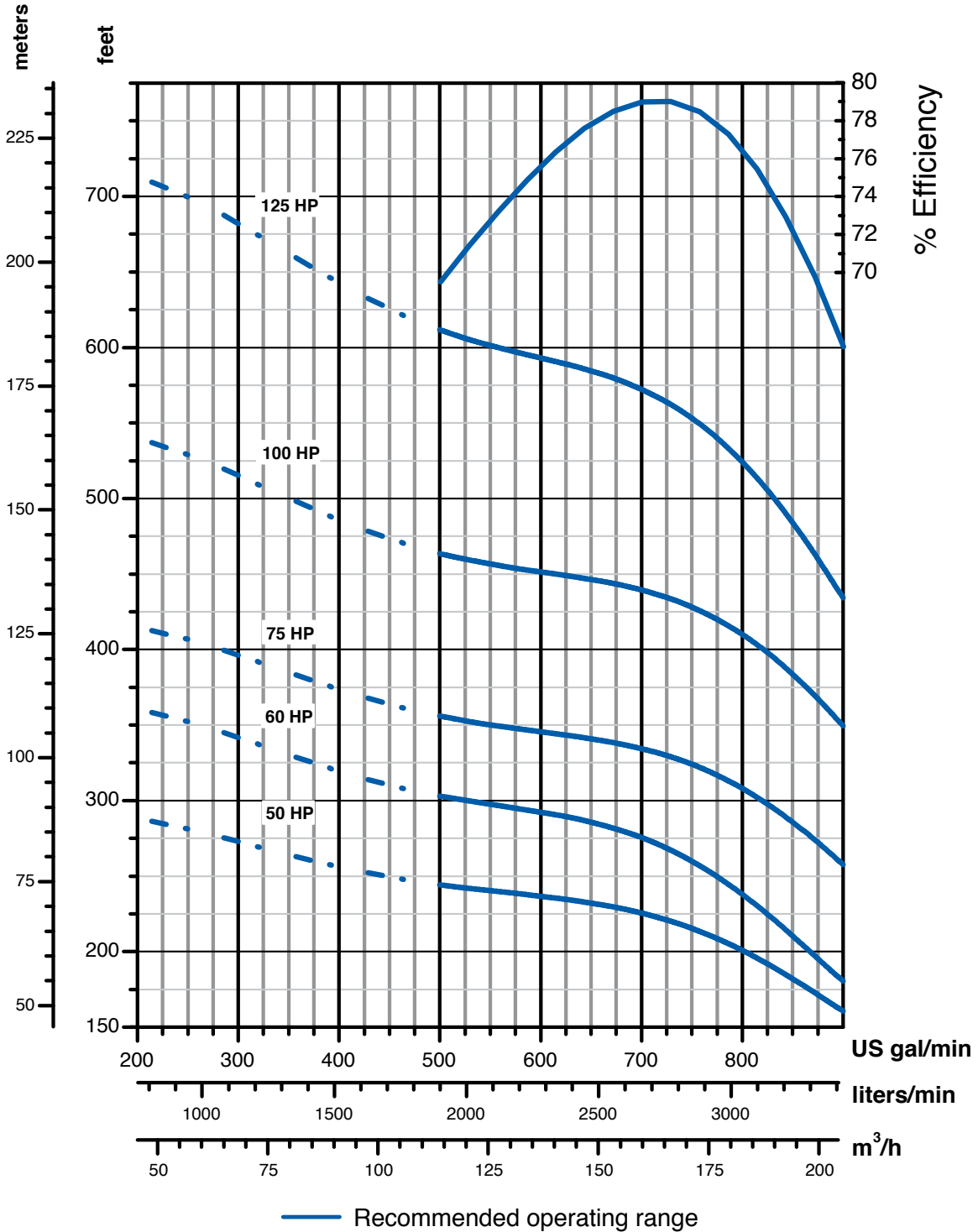
Note: *MD diameter = Franklin Electric Motor, M = Maximum Length of Franklin Electric Motor



Order Information

8" Submersible Turbine Pump Ends								
GPM	HP	Stages	Trim Size	Motor Bracket Size	Discharge Size	Order No.	Model No.	Shipping Weight (lbs.)
700	50	3	1A 1B 1C	6"	4" NPT	97080700003	700STS50D8X-0364	177
	50	3	1A 1B 1C	6"	6" NPT	97080700103	700STS50D8X-0366	177
	50	3	1A 1B 1C	8"	4" NPT	97080700803	700STS50D8X-0384	201
	50	3	1A 1B 1C	8"	6" NPT	97080700903	700STS50D8X-0386	201
	60	4	2B 2C	6"	4" NPT	97080700004	700STS60D8X-0464	211
	60	4	2B 2C	6"	6" NPT	97080700104	700STS60D8X-0466	211
	60	4	2B 2C	8"	4" NPT	97080700604	700STS60D8X-0484	234
	60	4	2B 2C	8"	6" NPT	97080700704	700STS60D8X-0486	234
	75	4	2A 2B	8"	4" NPT	97080700804	700STS75D8X-0484	234
	75	4	2A 2B	8"	6" NPT	97080700904	700STS75D8X-0486	234
	100	5	5A	8"	4" NPT	97080700805	700STS100D8A-0584	269
	100	5	5A	8"	6" NPT	97080700905	700STS100D8A-0586	269
	125	7	2A 5B	8"	4" NPT	97080700807	700STS125D8X-0784	333
	125	7	2A 5B	8"	6" NPT	97080700907	700STS125D8X-0786	333

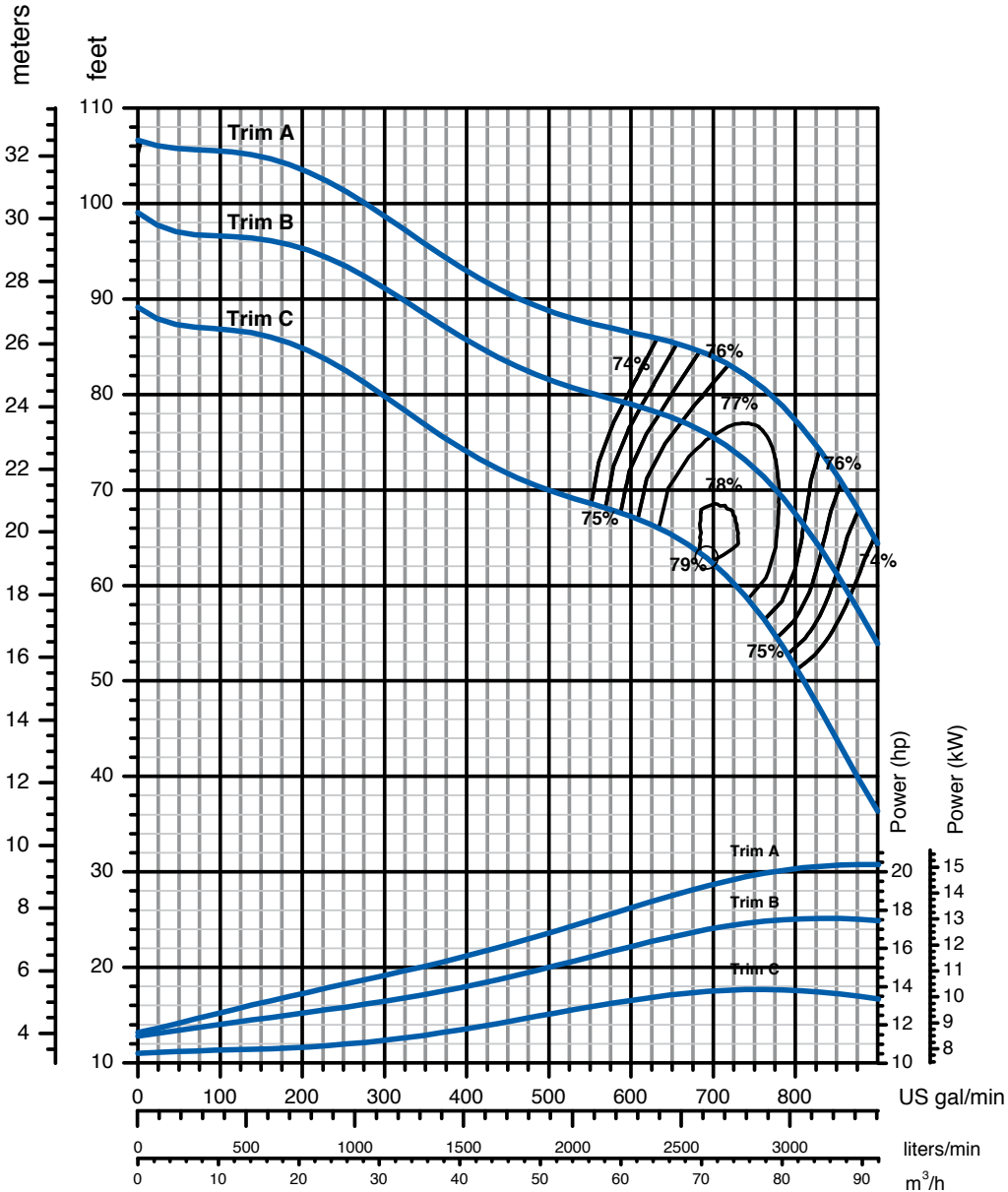
Model 700STS8 Performance



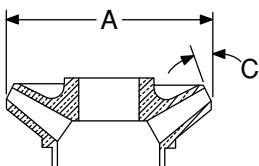
Note: Performance based on:
 -Fresh water, 68 °F
 -6" motor / 3450 rpm
 -8" motor / 3520 rpm

Model 700STS8 Performance

Single Stage Performance



Note: Efficiencies are typical, not guaranteed. Efficiency correction required for low stage count pumps.
 (1-stage 2%)
 Bowl #13 begins transition to double-bolted (8 bolts @ bottom, 16 bolts @ top)
 Nominal RPM: 3450



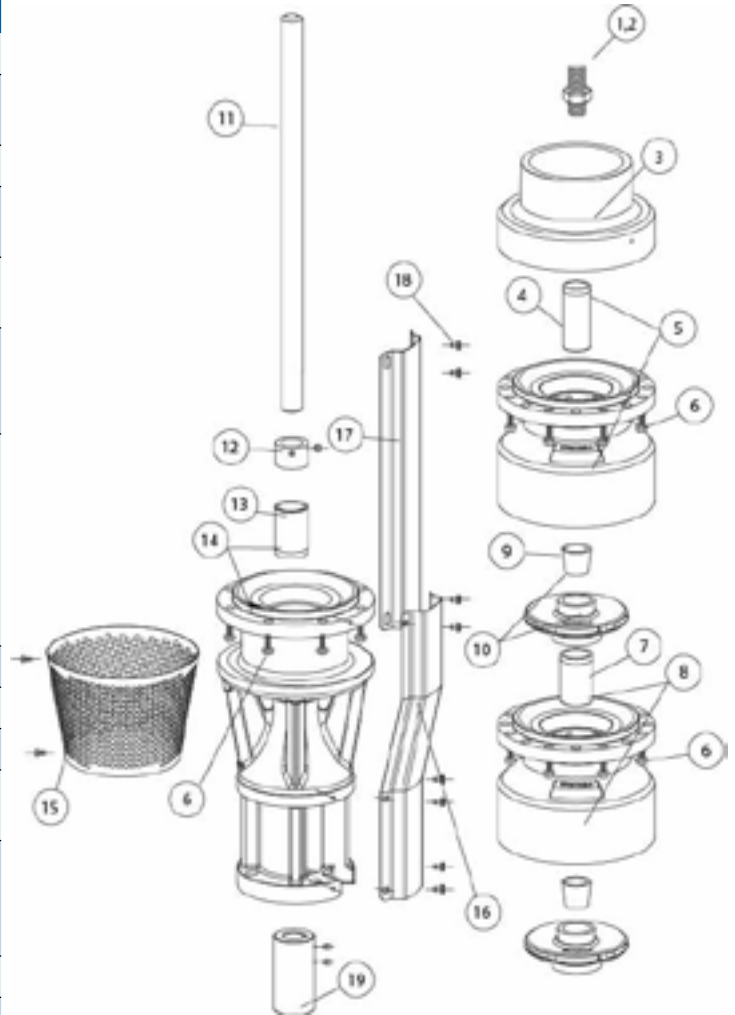
Impeller Dimensions

Trim	Diameter (in)	C Angle
A	5.672"	17 °
B	5.451"	17 °
C	5.225"	17 °

700STS8 Repair Parts List

Item No.	Part Description	Part Number	Qty. Per
1, 2	Uphrust Bolt/Nut Kit	305471553	1
3	Discharge 4" NPT (No Top Bearing) (225-700)	305471976	1
	Discharge 6" NPT (No Top Bearing) (225-700)	305471977	
4	Top Bearing - Bronze (Included in 5)	305471990	As Req.
5	Top Bowl with Bronze Bearing	305471995	As Req.
	Top Bowl with Bronze Bearing XP	305471996	
6	Bowl Bolt Kit (8 pcs.)*	305471549	As Req.
	Bowl Bolt Kit (500 pcs.)	305471551	
7	8" Bowl Bearing - Rubber (Included in 8)	305471400	As Req.
	8" Bowl Bearing - Viton (Included in 8)	305471401	
	8" Bowl Bearing - Bronze (Included in 8)	305471379	
8	Bowl and Bearing Assembly - Bronze	305471540	As Req.
	Bowl and Bearing Assembly XP - Bronze	305471543	
	Bowl and Bearing Assembly - Rubber	305471539	
	Bowl and Bearing Assembly XP - Rubber	305471542	
	Bowl and Bearing Assembly - Viton	305471541	
	Bowl and Bearing Assembly XP - Viton	305471544	
9	Taper Lock Collet Kit (Included in 10)	305471371	As Req.
12	Sand Cap w/ Set Screws	305471373	1
13	Motor Bracket Bearing - Bronze (Included in 14)	305471379	1
14	6" Motor Bracket with Bronze Bearing	305471439	As Req.
	8" Motor Bracket with Bronze Bearing	305471436	
15	Suction Screen with Screws for 6" Motor Bracket	305471375	1
	Suction Screen with Screws for 8" Motor Bracket	305471376	
18	Cable Guard Screw Kit	305471000	1
19	8" x 6" Motor Coupling	305471403	1
	8" x 8" Motor Coupling	305471404	
	6" Motor Bolt Kit	305352901	1
	8" Motor Bolt Kit	305352902	
	Nameplate with Drive Screws	305418901	1
	Owner's Manual	106089101	1

* Pumps of 13 stages or more require double bolting.
Two bolt kits per stage will be required for the 13th stage and above.



Impeller				
Item No.	Description	Diameter (in)	Angle (Degrees)	Kit w/ Collet
10	A Trim	5.672	17 °	305471593
	B Trim	5.451	17 °	305471594
	C Trim	5.225	17 °	305471595

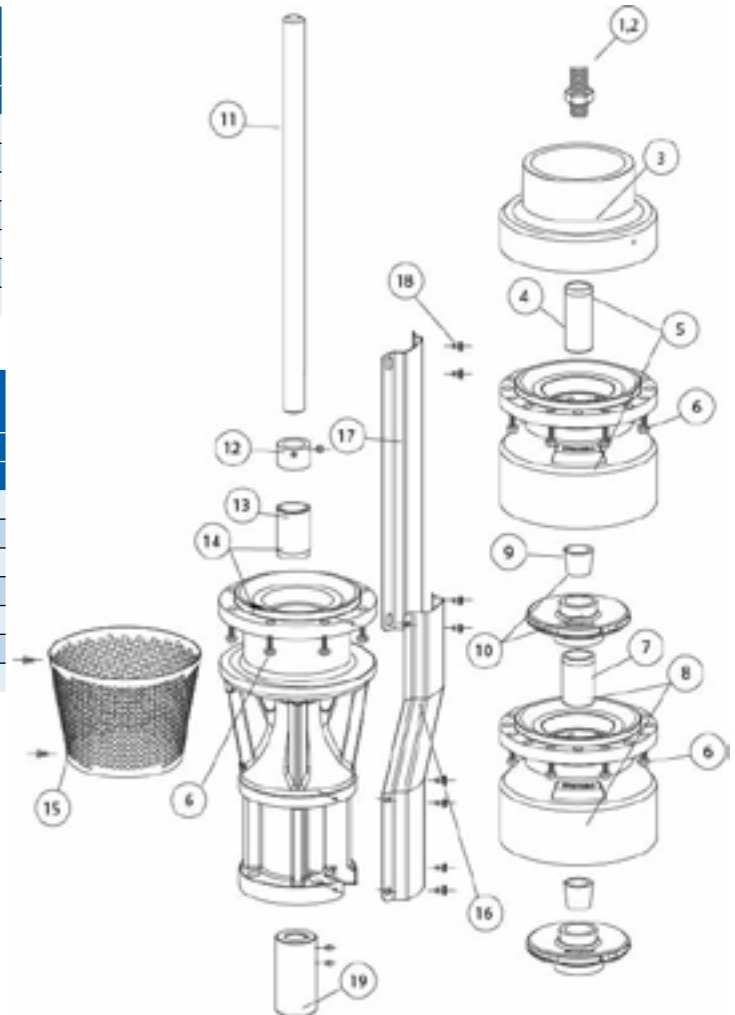
Note: Shaft and cable guard information located on the next page.

Submersible Turbine Pumps

700STS8 Repair Parts List

8" x 6" Shaft 8" Pump with 6" Motor Bracket				
Item No.	Stages	Length (in)	Shaft Part Number	
			416 SS	Chrome Hardened
11	1	19.46	305472066	305472165
	2	26.55	305472068	305472167
	3	33.63	305472070	305472169
	4	40.72	305472072	305472171
	5	47.81	305472074	305472173
	6	54.90	305472076	305472175
	7	61.98	305472078	305472177

8" x 6" Cable Guard (Pre-Cut) 8" Pump with 6" Motor Bracket				
Item No.	Stages	Length (in)	Cable Guard Part Number	
			Bracket	Pump
16, 17	1	9.44	305471001	305471792
	2	16.58	305471001	305471795
	3	23.67	305471001	305471798
	4	30.76	305471001	305471802
	5	37.85	305471001	305471805
	6	44.93	305471001	305471849
	7	52.02	305471001	305471853

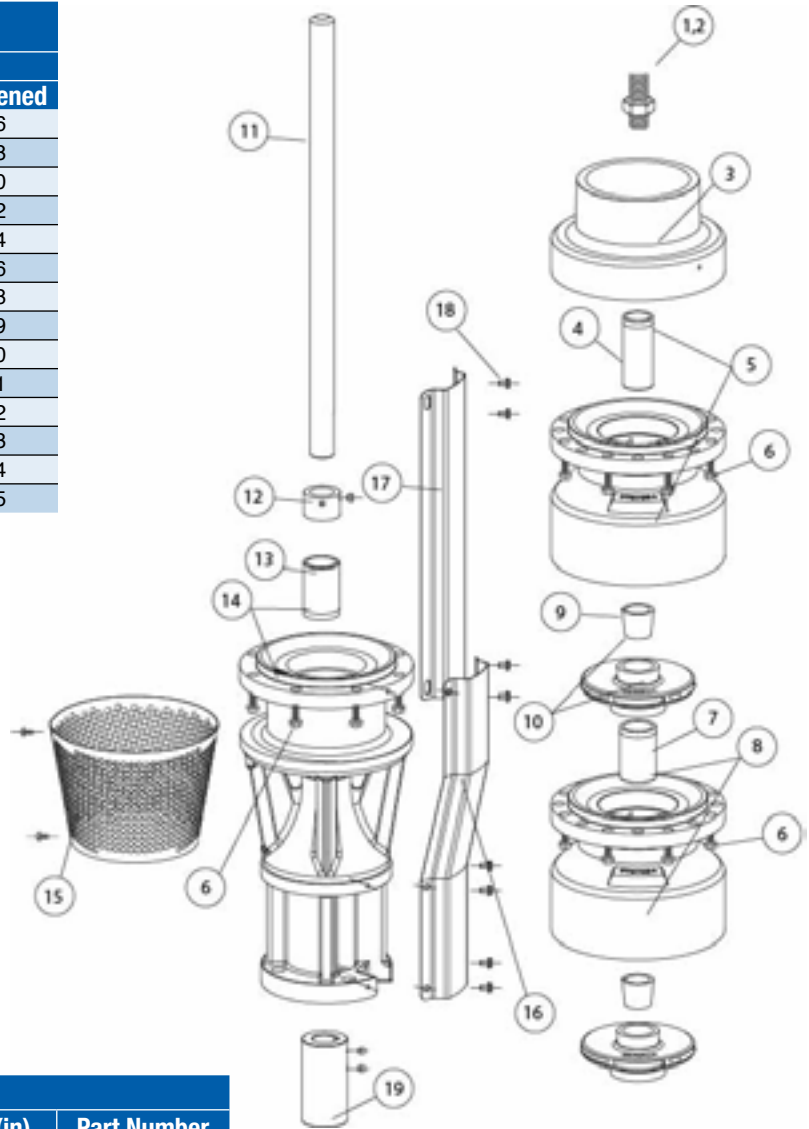


Submersible Turbine Pumps

700STS8 Repair Parts List

8" x 8" Shaft 8" Pump with 8" Motor Bracket				
Item No.	Stages	Length (in)	Shaft Part Number	
			416 SS	Chrome Hardened
11	1	19.96	305472067	305472166
	2	27.05	305472069	305472168
	3	34.14	305472071	305472170
	4	41.22	305472073	305472172
	5	48.31	305472075	305472174
	6	55.40	305472077	305472176
	7	62.48	305472079	305472178
	8	69.57	305472080	305472179
	9	76.66	305472081	305472180
	10	83.75	305472082	305472181
	11	90.83	305472083	305472182
	12	97.92	305472084	305472183
	13	105.01	305472085	305472184
	14	112.09	305472086	305472185

8" x 8" Cable Guard (Pre-cut) 8" Pump with 8" Motor Bracket			
Item No.	Stages	Length (in)	Part Number
17	1	23.94	305471866
	2	31.03	305471869
	3	38.11	305471829
	4	45.20	305471833
	5	52.29	305471836
	6	59.37	305471807
	7	66.46	305471810
	8	73.55	305471813
	9	80.63	305471816
	10	87.72	305471819
	11	94.81	305471821
	12	101.89	305471822
	13	108.89	305471823
	14	116.07	305471824



8" Cable Guard			
Item No.	Description	Length (in)	Part Number
17	Cable Guard (10' Section)	120	305471789
16	Cable Guard 6" Motor Bracket Section*	14.125	305471001

* Must have for 6" Motor Bracket

8" 416 SS Shaft (Double Keyed)	
Part Number	Length (ft)
305471367	4
305471368	6
305471369	8
305471370	10



Franklin Electric

400 East Spring St., Bluffton, IN 46714
Tel: 260.824.2900 Fax: 260.824.2909
www.franklin-electric.com