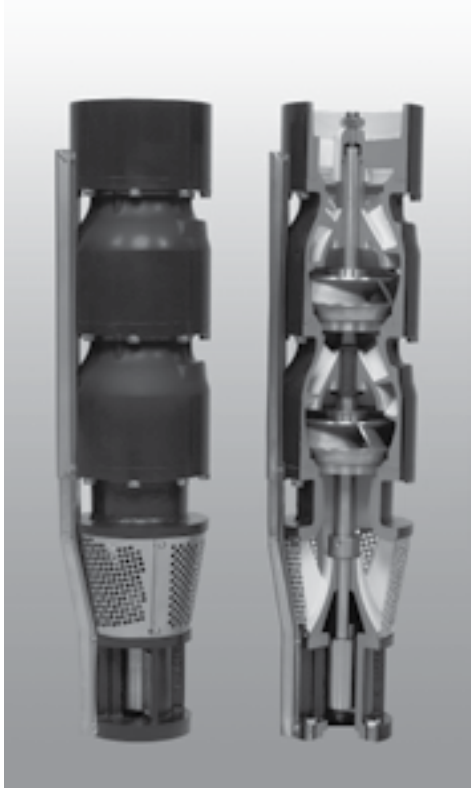


Submersible Turbine Pumps

8" Submersible Turbine Pump 1000 GPM



Features

- Premium ductile iron casting for longer life and higher pressures
- Longer discharge and motor bracket bearings for increased pump life
- Spiral cutlass rubber intermediate bearings designed for abrasive environments
- 416 stainless steel pump shaft ground and polished for maximum durability
- Investment cast stainless steel impellers for maximum abrasion resistance
- Custom pumps available

Specifications

Minimum Well I.D.	10"
Minimum Submergence Above Inlet	25'
Discharge	6" NPT
Maximum Allowable Amount of Sand	150 ppm

Note: Refer to Franklin Electric AIM data for motor cooling requirements.

Model Number Explanation

Example: 350STS10D8C-0264

- 350 = GPM
- STS = Sub Turbine
- 10 = Horsepower
- D = Ductile Iron
- 8 = 8" Pump
- C = Impeller Trim Configuration
- 02 = Number of Stages
- 6 = 6" Motor Bracket
- 4 = 4" Discharge

Materials of Construction

Part Name	Common Material Name	Material Spec. Number
Discharge Bracket	Ductile Iron	ASTM A536 65-45-12
Top Bowl	Ductile Iron	ASTM A536 65-45-12
Intermediate Bowl	Ductile Iron	ASTM A536 65-45-12
Bearings, Disch. & Suction	Bronze	ASTM 8584 C89835
Impeller	304 Stainless Steel	ASTM A743/A743M CF8
Pump Shaft	416 Stainless Steel	ASTM A582 S41600
Suction Bracket	Ductile Iron	ASTM A536 65-45-12
Bowl Bearing	Rubber	Rubber
Sand Collar	300 Stainless Steel	ASTM A666
Suction Screen	302 Stainless Steel	ASTM A240 S30200
Cable Guard	300 Stainless Steel	ASTM A666
Shaft Coupling	416 Stainless Steel	ASTM A582 S41600
Upthrust Bolt	300 Stainless Steel	ASTM A666
Taper Lock	416 Stainless Steel	ASTM A582 S41600
Bolting	300 Stainless Steel	ASTM A666

Note: Bowl bearing and shaft options available. Contact customer service for available options.

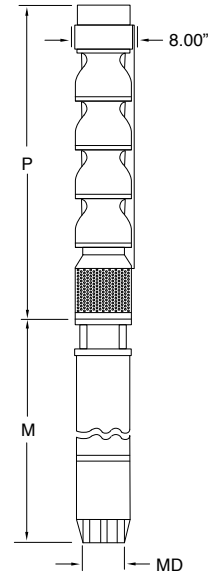
Submersible Turbine Pumps

Model 1000STS8 Performance

Dimension Information

HP	Stages	Trim	Motor Size	P	M*	MD*	Motor Wt. lbs.	Pump Wt. lbs.
				inch	inch	inch		
25	1	1A	6"	25.7	33.1	5.44	140	93
40	2	1A 1B	6"	33.1	40.8	5.44	182	122
40	2	1A 1B	8"	34.5	36.4	7.70	274	143
60	3	3A	6"	40.5	61.3	5.44	291	152
60	3	3A	8"	41.8	42.1	7.70	344	173
75	4	1A 3B	8"	49.2	47.4	7.70	399	203
100	5	5A	8"	56.6	54.9	7.70	481	233
125	7	7B	8"	71.3	68.8	7.70	644	293

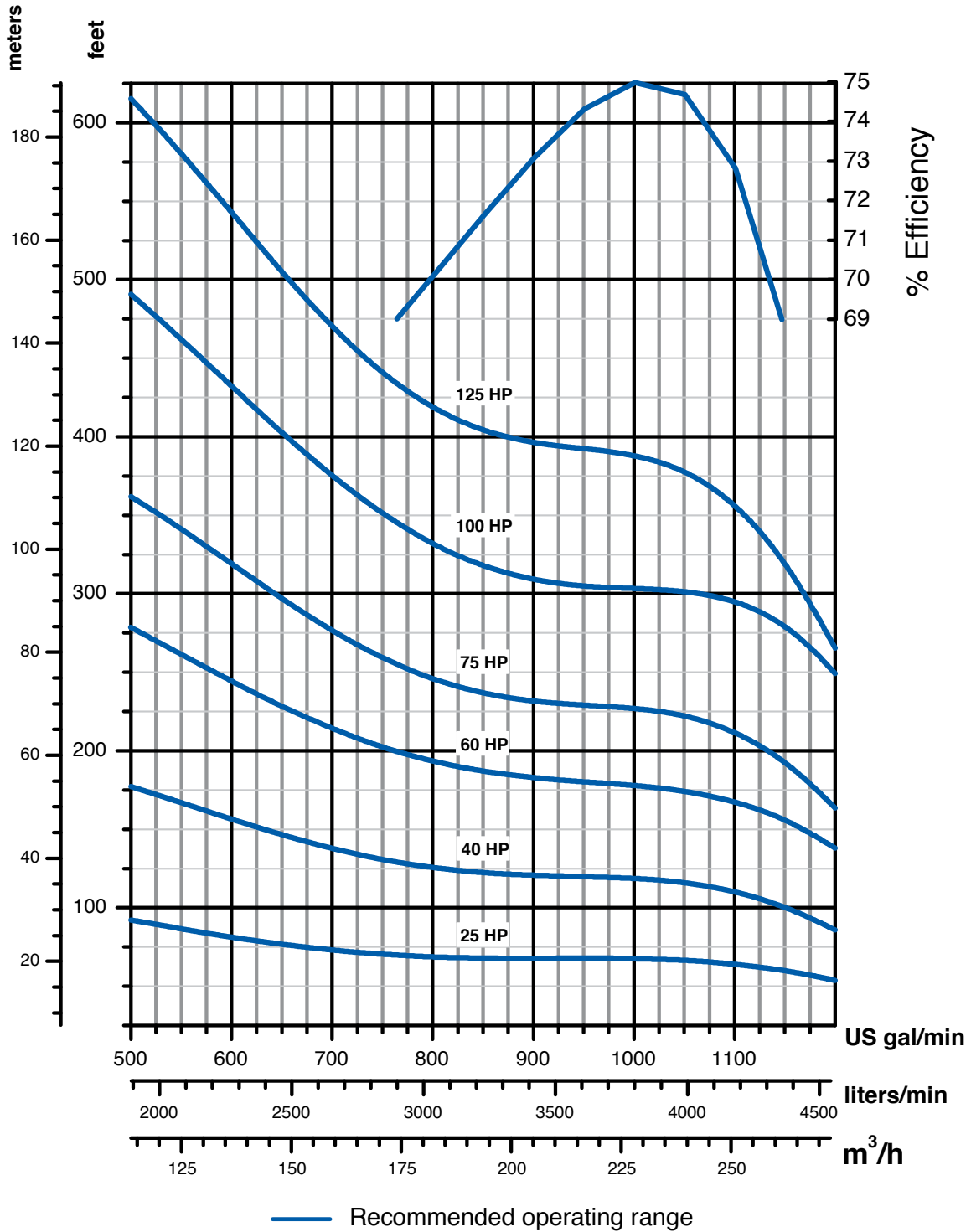
Note: *MD diameter = Franklin Electric Motor, M = Maximum Length of Franklin Electric Motor



Order Information

8" Submersible Turbine Pump Ends								
GPM	HP	Stages	Trim Size	Motor Bracket Size	Discharge Size	Order No.	Model No.	Shipping Weight (lbs.)
1000	25	1	1A	6"	6" NPT	97081000001	1000STS25D8A-0166	111
	40	2	1A 1B	6"	6" NPT	97081000002	1000STS40D8X-0266	140
	40	2	1A 1B	8"	6" NPT	97081000902	1000STS40D8X-0286	161
	60	3	3A	6"	6" NPT	97081000003	1000STS60D8A-0366	173
	60	3	3A	8"	6" NPT	97081000903	1000STS60D8A-0386	194
	75	4	1A 3B	8"	6" NPT	97081000904	1000STS75D8X-0486	227
	100	5	5A	8"	6" NPT	97081000905	1000STS100D8A-0586	261
	125	7	7B	8"	6" NPT	97081000907	1000STS125D8B-0786	370

Model 1000STS8 Performance

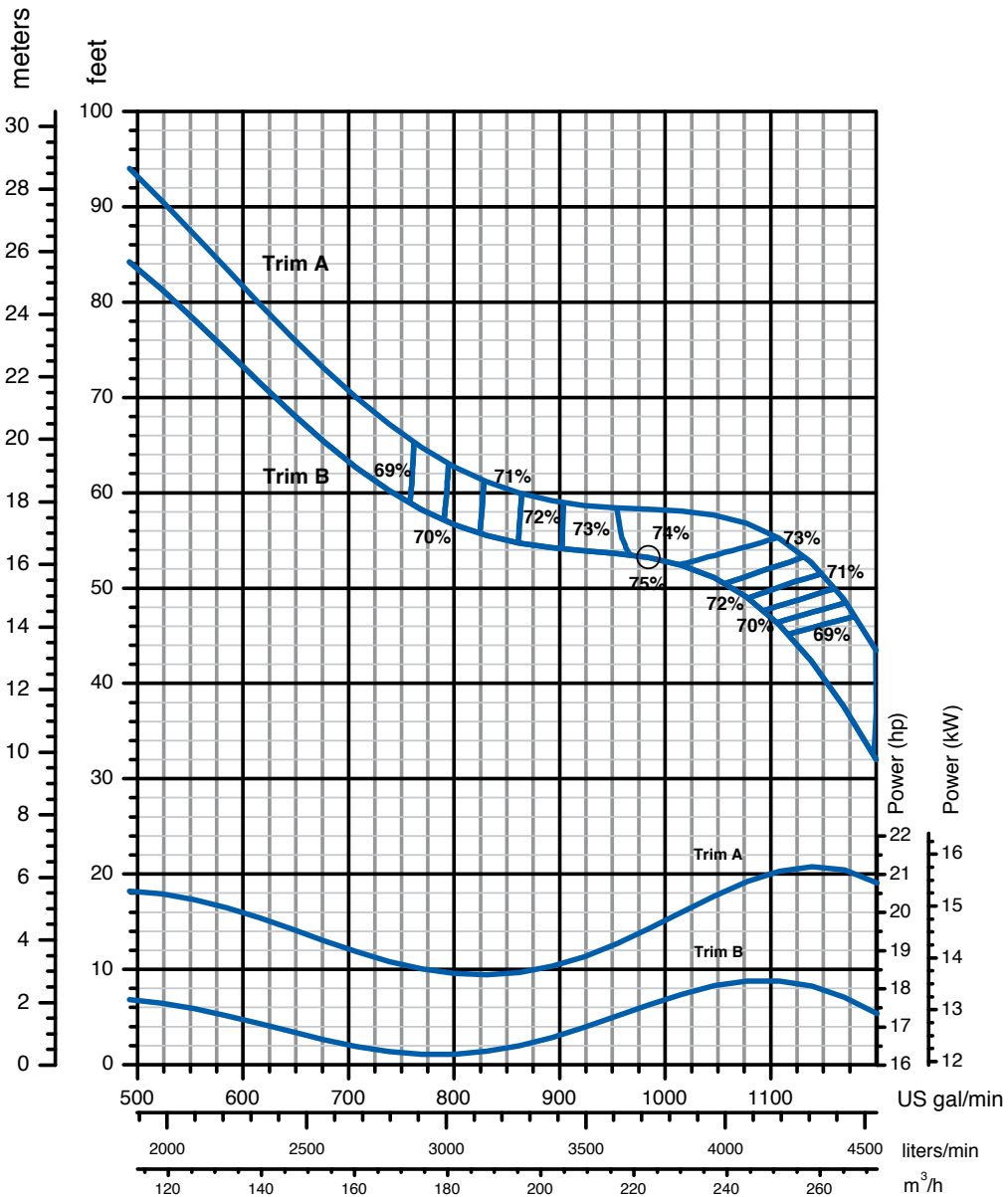


Note: Performance based on:
 - Fresh water, 68 °F
 - 6" motor / 3450 rpm
 - 8" motor / 3520 rpm

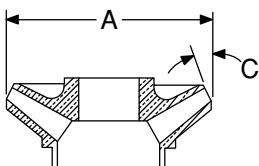


Model 1000STS8 Performance

Single Stage Performance



Note: Efficiencies are typical, not guaranteed. Efficiency correction required for low stage count pumps.
 (1-stage 3%, 2-stage 2%, 3-stage 2%)
 Nominal RPM: 3450

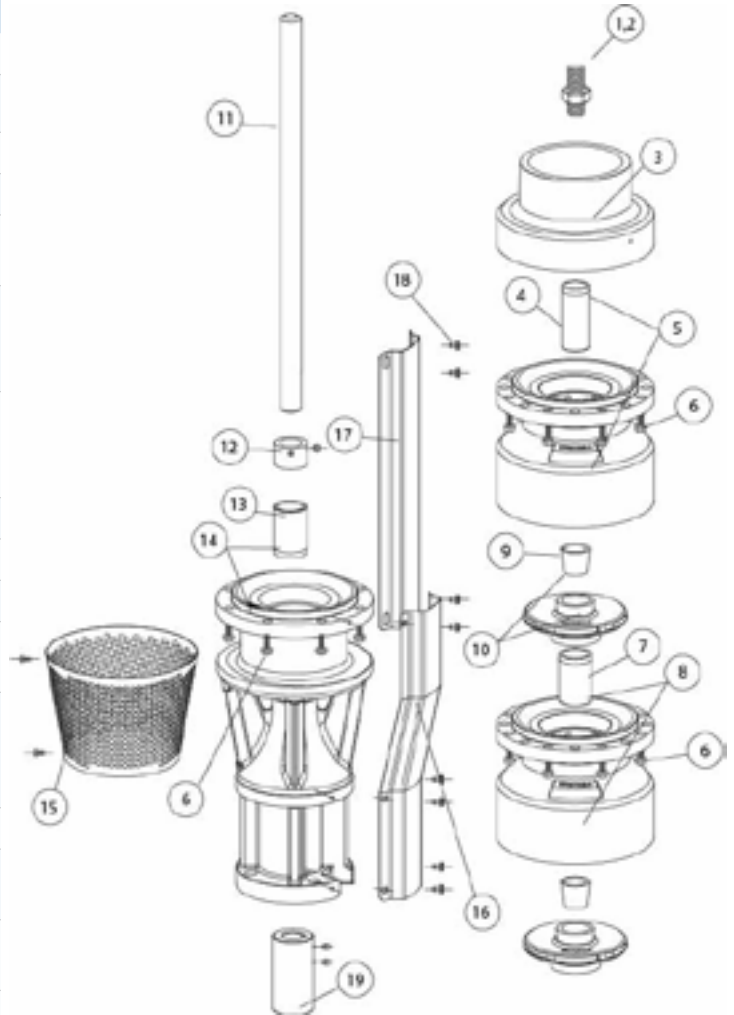


Impeller Dimensions

Trim	Diameter (in)	C Angle
A	5.716"	11 °
B	5.716"	21 °

1000STS8 Repair Parts List

Item No.	Part Description	Part Number	Qty. Per
1, 2	Upthrust Bolt/Nut Kit	305471553	1
3	Discharge 6" NPT (No Top Bearing) (1000 ONLY)	305471978	1
4	Top Bearing - Bronze (Included in 5)	305471990	As Req.
5	Top Bowl with Bronze Bearing	305471997	As Req.
6	Bowl Bolt Kit (8 pcs.)*	305471549	As Req.
	Bowl Bolt Kit (500 pcs.)	305471551	
7	8" Bowl Bearing - Rubber (Included in 8)	305471400	As Req.
	8" Bowl Bearing - Viton (Included in 8)	305471401	
	8" Bowl Bearing - Bronze (Included in 8)	305471379	
8	Bowl and Bearing Assembly - Bronze	305471546	As Req.
	Bowl and Bearing Assembly - Rubber	305471545	
	Bowl and Bearing Assembly - Viton	305471547	
9	Taper Lock Collet Kit (Included in 10)	305471371	As Req.
12	Sand Cap w/ Set Screws	305471373	1
13	Motor Bracket Bearing - Bronze (Included in 14)	305471379	1
14	6" Motor Bracket with Bronze Bearing	305471442	As Req.
	8" Motor Bracket with Bronze Bearing	305471441	
15	Suction Screen with Screws for 6" Motor Bracket	305471375	1
	Suction Screen with Screws for 8" Motor Bracket	305471376	
18	Cable Guard Screw Kit	305471000	1
19	8" x 6" Motor Coupling	305471403	1
	8" x 8" Motor Coupling	305471404	
	6" Motor Bolt Kit	305352901	1
	8" Motor Bolt Kit	305352902	
	Nameplate with Drive Screws	305418901	1
	Owner's Manual	106089101	1



Impeller				
Item No.	Description	Diameter (in)	Angle (Degrees)	Kit w/ Collet
10	A Trim	5.716	11 °	305471596
	B Trim	5.716	21 °	305471597

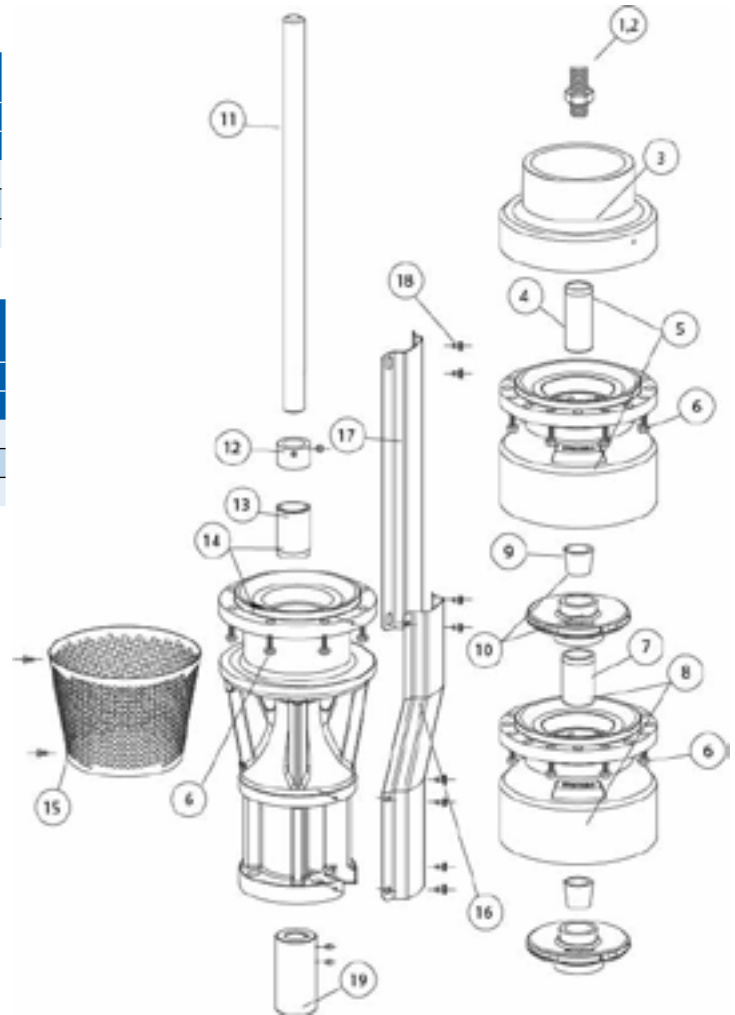
Note: Shaft and cable guard information located on the next page.

Submersible Turbine Pumps

1000STS8 Repair Parts List

8" x 6" Shaft 8" Pump with 6" Motor Bracket				
Item No.	Stages	Length (in)	Shaft Part Number	
			416 SS	Chrome Hardened
11	1	19.74	305472087	305472186
	2	27.12	305472089	305472188
	3	34.50	305472091	305472190

8" x 6" Cable Guard (Pre-Cut) 8" Pump with 6" Motor Bracket				
Item No.	Stages	Length (in)	Cable Guard Part Number	
			Bracket	Pump
16, 17	1	9.73	305471001	305471854
	2	17.11	305471001	305471855
	3	24.48	305471001	305471856



Submersible Turbine Pumps

1000STS8 Repair Parts List

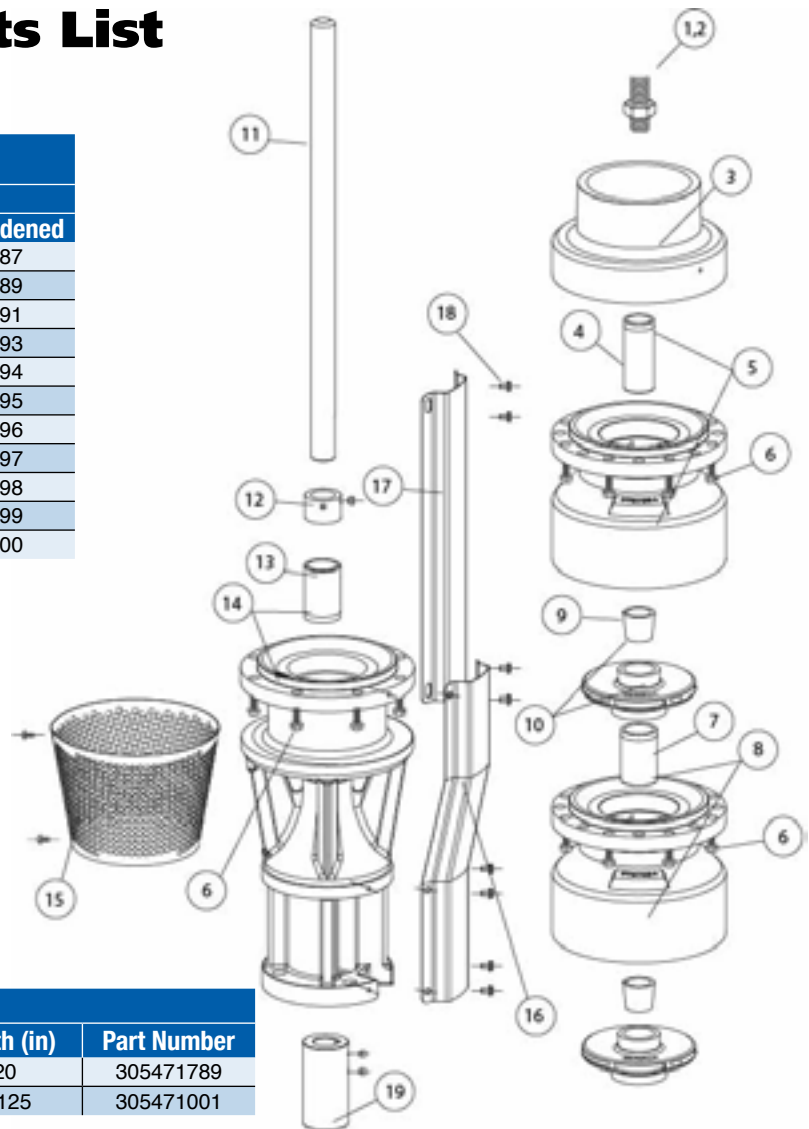
8" x 8" Shaft 8" Pump with 8" Motor Bracket				
Item No.	Stages	Length (in)	Shaft Part Number	
			416 SS	Chrome Hardened
11	1	20.26	305472088	305472187
	2	27.64	305472090	305472189
	3	35.02	305472092	305472191
	4	42.40	305472094	305472193
	5	49.78	305472095	305472194
	6	57.15	305472096	305472195
	7	64.53	305472097	305472196
	8	71.90	305472098	305472197
	9	79.28	305472099	305472198
	10	86.66	305472100	305472199
	11	94.04	305472101	305472200

8" x 8" Cable Guard (Pre-cut) 8" Pump with 8" Motor Bracket			
Item No.	Stages	Length (in)	Part Number
17	1	24.22	305471867
	2	31.60	305471857
	3	38.98	305471858
	4	46.36	305471859
	5	53.74	305471871
	6	61.11	305471860
	7	68.49	305471861
	8	75.87	305471862
	9	83.25	305471863
	10	90.63	305471881
	11	98.01	305471882

8" Cable Guard			
Item No.	Description	Length (in)	Part Number
17	Cable Guard (10' Section)	120	305471789
16	Cable Guard 6" Motor Bracket Section*	14.125	305471001

* Must have for 6" Motor Bracket

8" 416 SS Shaft (Double Keyed)	
Part Number	Length (ft)
305471367	4
305471368	6
305471369	8
305471370	10





Franklin Electric

400 East Spring St., Bluffton, IN 46714
Tel: 260.824.2900 Fax: 260.824.2909
www.franklin-electric.com