

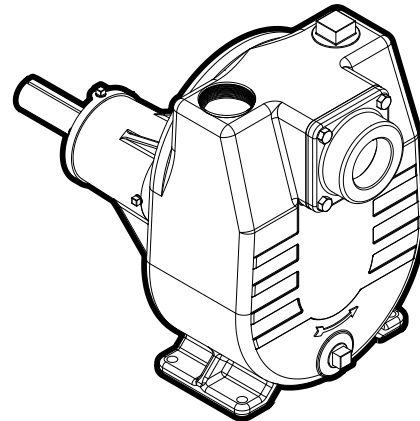
# CENTRIFUGAL PUMPS

## SELF-PRIMING FMIT



### FEATURES

- Volute: Rugged cast iron construction with tapped openings for priming, venting, and draining
- Impeller: Semi-open cast iron; non-clogging; designed for water with the capability of handling mud, sand, and silt up to 10% by volume
- Mechanical Seal: Standard carbon/ceramic faces; FKM elastomers; 300 Series stainless steel components
- Bearing Frame: For bolt or direct drive with heavy sealed bearings; keyed stainless steel shaft; replaceable wear plate for maintaining maximum efficiency



### SPECIFICATIONS

- Capacities to 760 gpm
- Heads to 175 feet
- 120 psi maximum working pressure
- 212 °F maximum temperature
- Clockwise rotation when viewed from motor end
- NPT pipe connections

Discharge	Suction	Max Solids
2"	2"	3/4"
3"	3"	1"
4"	4"	1-3/8"

### APPLICATIONS

- Irrigation
- Construction
- Mining
- Commercial
- Municipal
- Light Industrial
- Water Truck

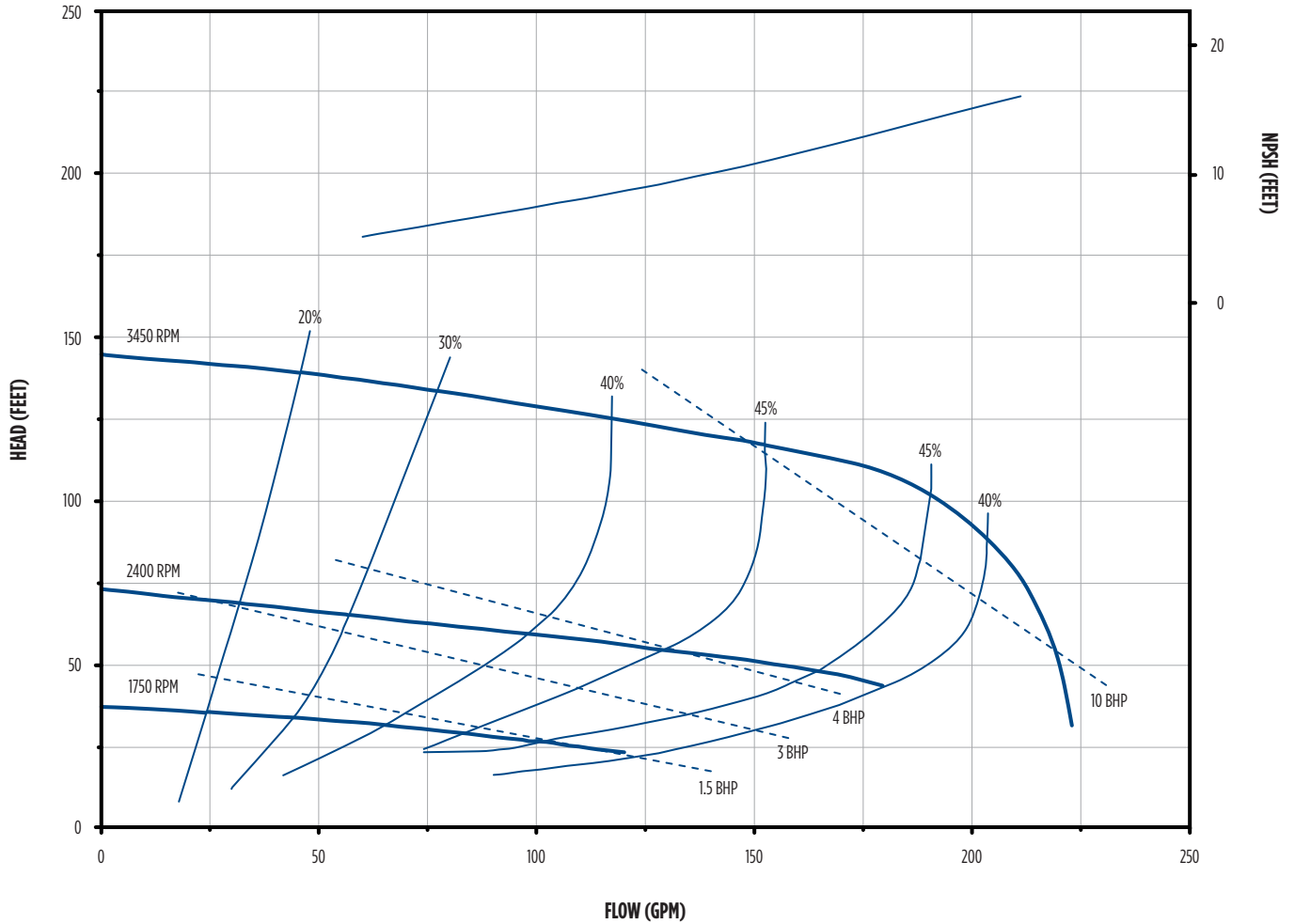
# CENTRIFUGAL PUMPS

SELF-PRIMING FMIT



## PERFORMANCE

FMIT-20



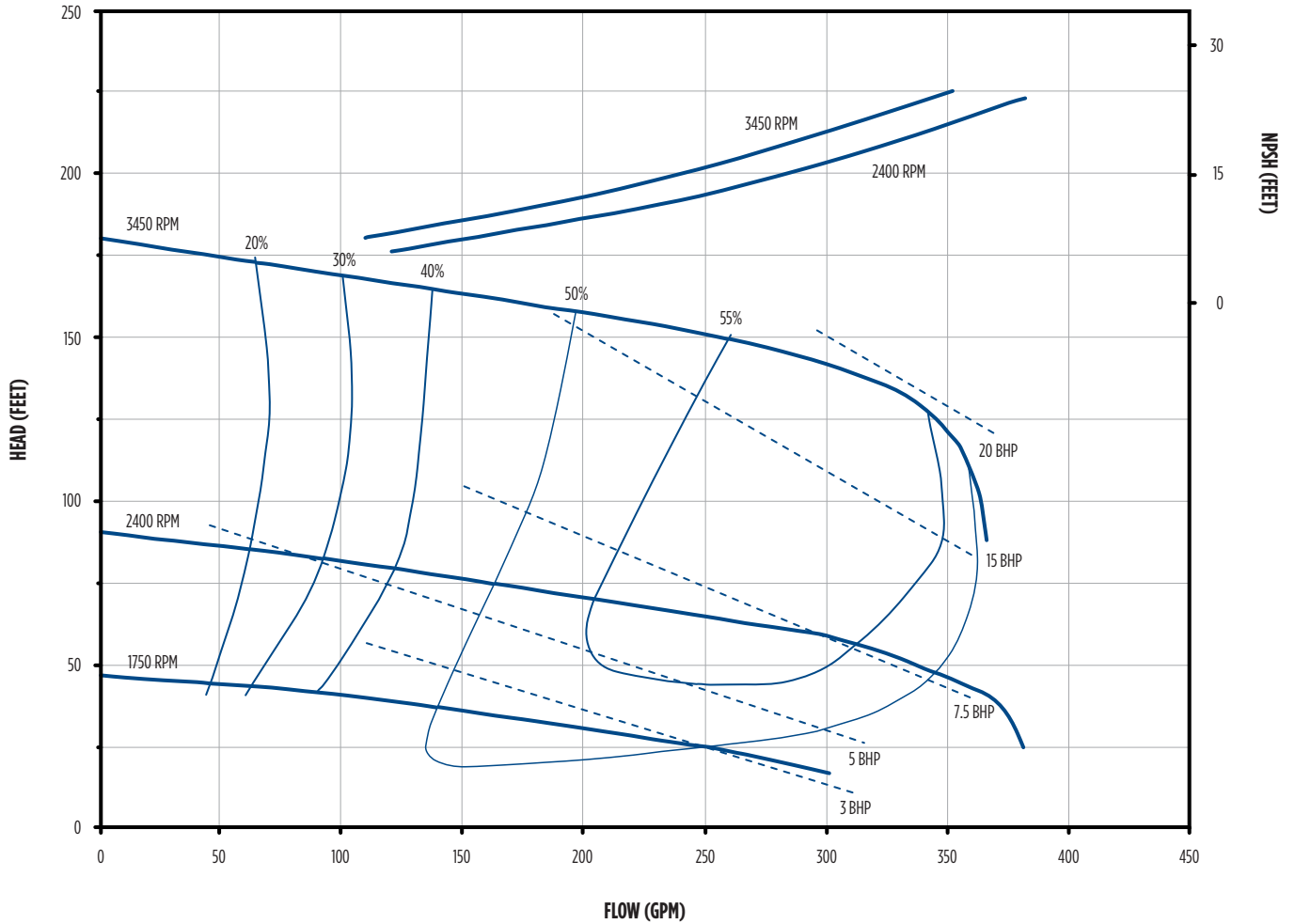
# CENTRIFUGAL PUMPS

SELF-PRIMING FMIT



## PERFORMANCE

FMIT-30



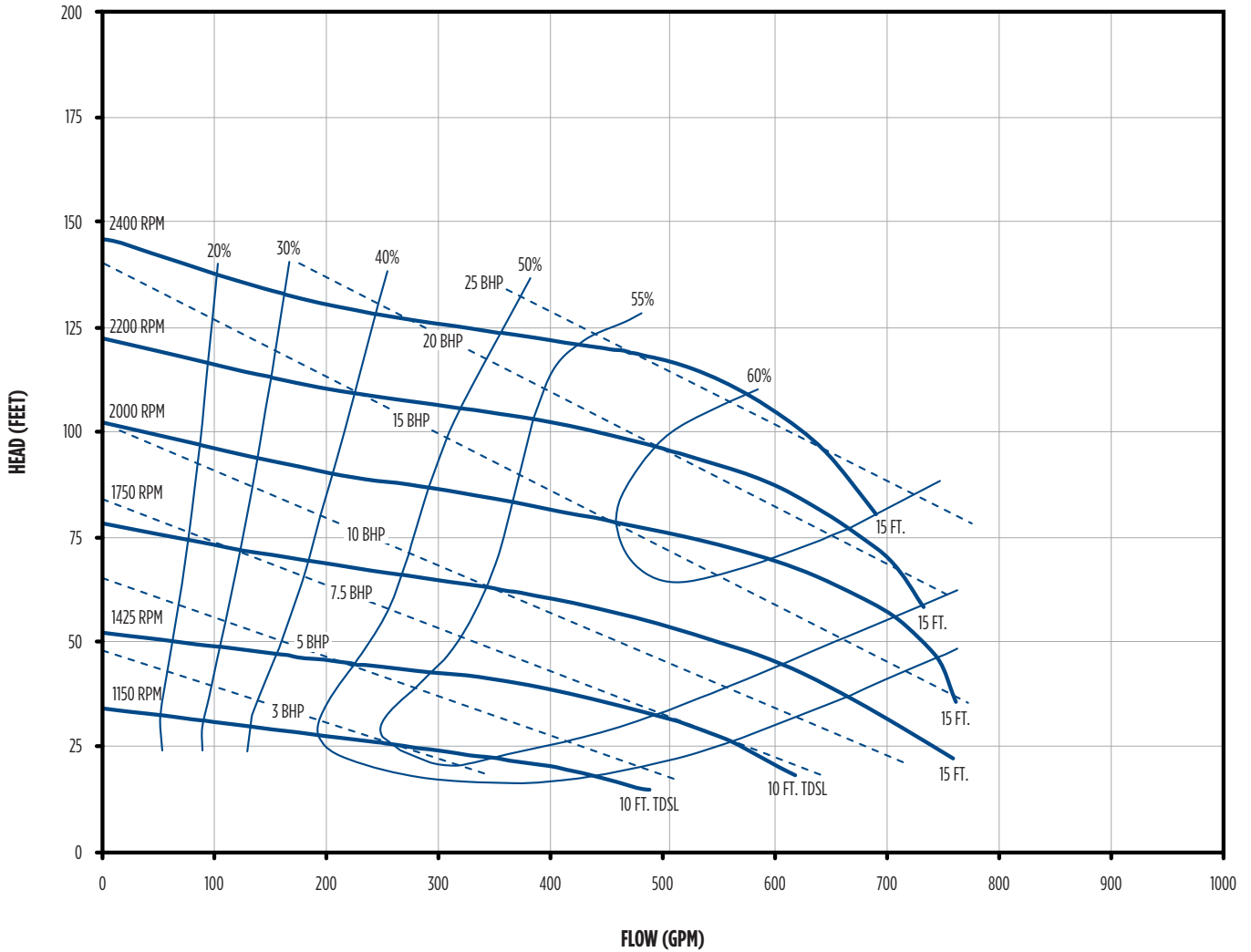
# CENTRIFUGAL PUMPS

SELF-PRIMING FMIT



## PERFORMANCE

FMIT-40



# CENTRIFUGAL PUMPS

## SELF-PRIMING FMIT



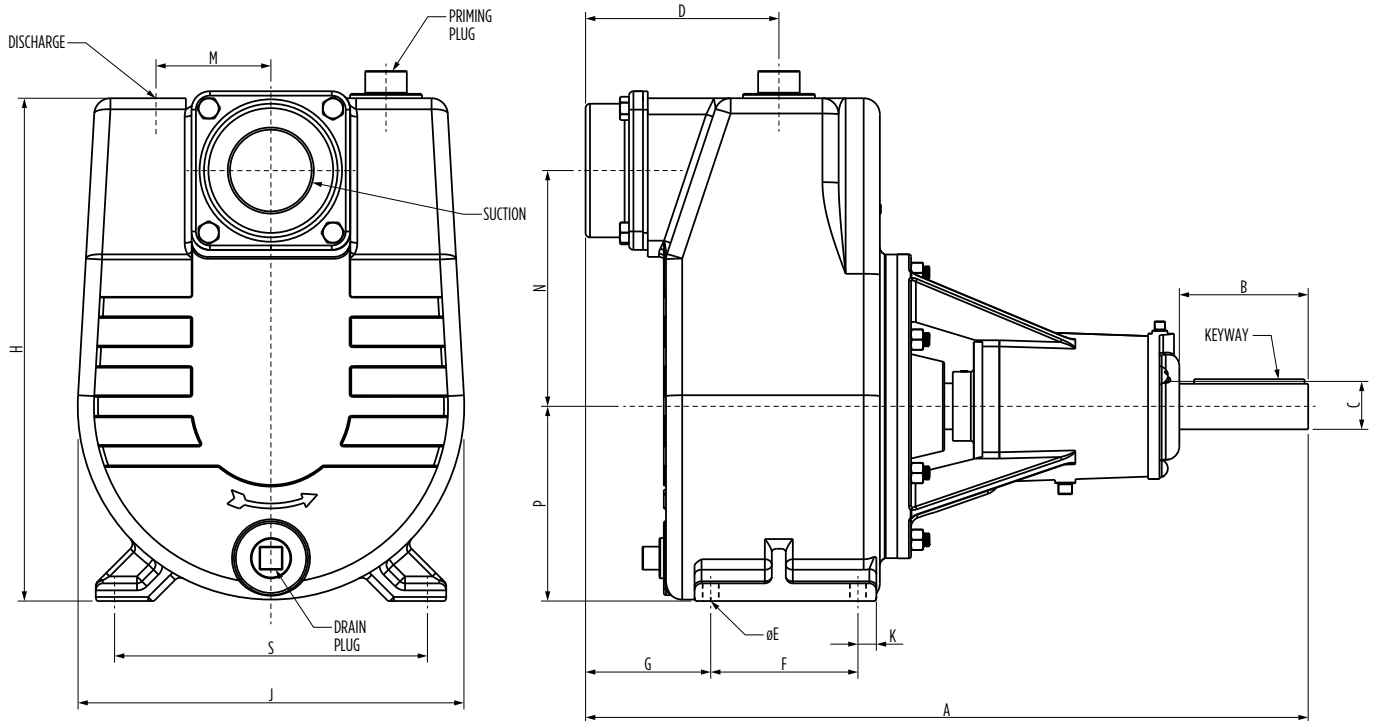
### ORDER INFORMATION

Model	Pump Size (Dis. x Suc.)	Order No.	Wt. (lbs)	Solid Size
FMIT-20	2 x 2	90230002	108	3/4"
FMIT-30	3 x 3	90230003	158	1"
FMIT-40	4 x 4	90230004	282	1-3/8"

### DIMENSIONS

Model	Keyway	Dimensions (in)													
		A	B	C	D	E	F	G	H	J	K	M	N	P	S
FMIT-20	1/4	19.63	3.50	1.250	5.25	0.44	4.00	3.40	13.66	10.50	0.50	3.13	6.16	5.29	8.50
FMIT-30	1/4	23.21	3.42	1.250	7.75	0.56	4.75	5.00	15.88	12.76	0.75	3.25	7.31	6.13	10.75
FMIT-40	3/8	27.04	3.14	1.625	8.68	0.56	6.50	4.93	20.40	15.76	0.75	4.75	9.28	8.00	13.50

NOTE: Dimensions are for estimating purposes only.

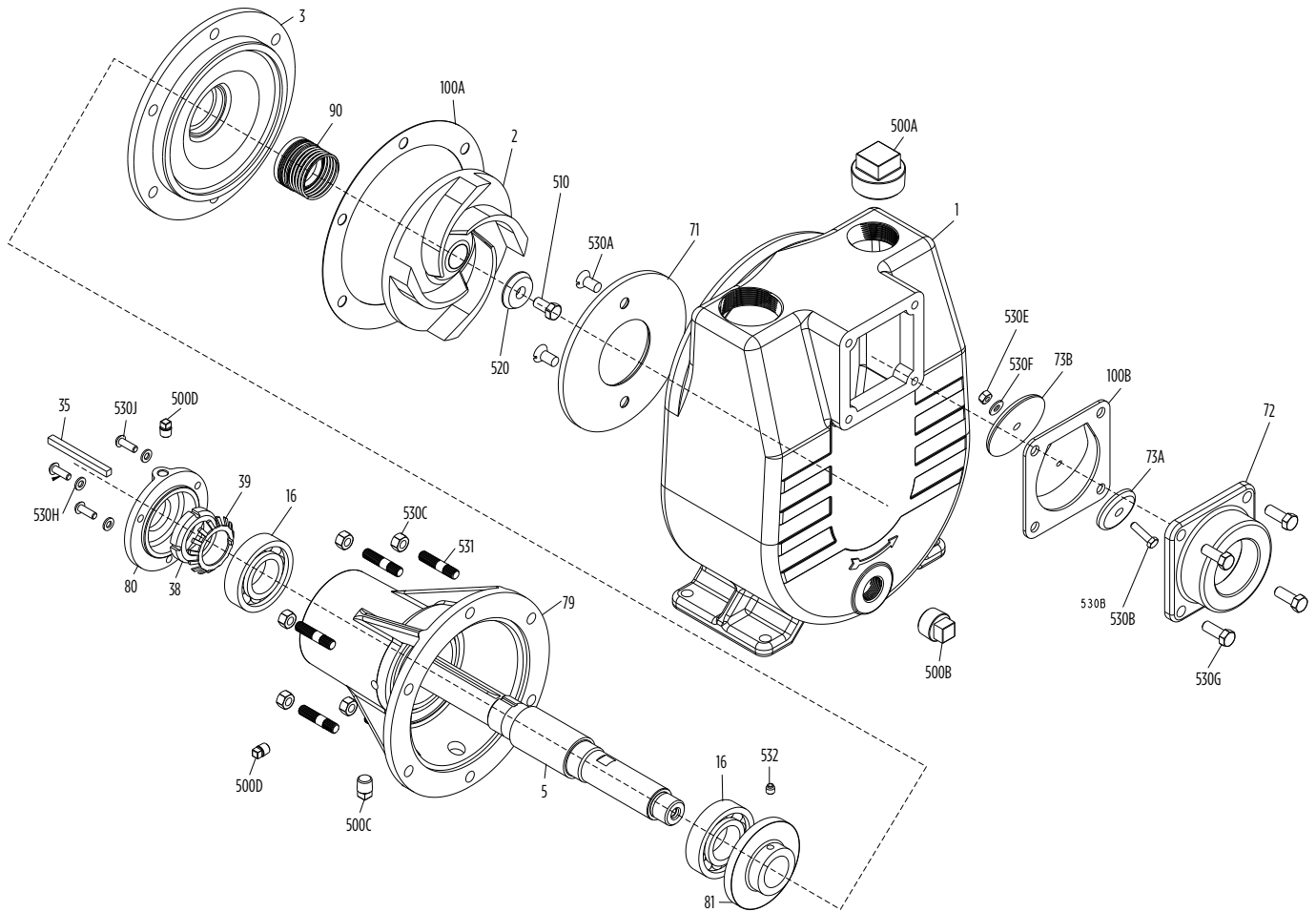


# CENTRIFUGAL PUMPS

SELF-PRIMING FMIT



## REPAIR PARTS



# NOTES

## SELF-PRIMING FMIT



### REPAIR PARTS

Fig. No.	Part Description	Part No.			Materials of Construction
		FMIT-20	FMIT-30	FMIT-40	
1	Pump Case	305455001	305455002	305455003	Cast iron, ASTM-A48 CL30
2	Impeller	305455004	305455005	305455006	Cast iron, ASTM-A48 CL30
3	Seal Plate	305454007	305454008	305454009	Cast iron, ASTM-A48 CL30
5	Shaft	305454013	305454014	305454015	316 stainless steel
16	Ball Bearing (2 req.)*	305463034	305463035	305463036	Misc.
35	Shaft Key	305454016		305454017	1018 CRS
38	Nut, Bearing	305463037	305463038	305463039	300 Series stainless steel
39	Lock Washer, Bearing	305463040	305463041	305463042	Zinc-plated steel
71	Wear Plate	305455007	305455008	305455009	Cast iron, ASTM-A48 CL30
72	Check Valve	305455010	305454019	305454020	Cast iron, ASTM-A48 CL30
73A	Top Weight, Check Valve	305455011	305454022	305454023	Cast iron, ASTM-A48 CL30
73B	Bottom Weight, Check Valve	305455012	305454025		Cast iron, ASTM-A48 CL30
79	Transmission Head	305454031	305454032	305454033	Cast iron, ASTM-A48 CL30
80	Bearing Cover	305454034	305454035	305454036	Cast iron, ASTM-A48 CL30
81	Seal Cover	305454037	305454038	305454039	Cast iron, ASTM-A48 CL30
90	Mechanical Shaft Seal	305463043		305463044	Carbon/Ceramic x FKM-stainless steel
100A	Case Gasket	305454040	305454041	305454042	Nitrile
100B	Flapper Valve	305454043	305454044	305454045	Neoprene
500A	Pipe Plug, NPT (3 pack)	305463048	305463076		CAD-plated steel
500B	Pipe Plug, 3/4" (3 pack)	305463050			CAD-plated steel
500C	Pipe Plug, 1/4" (4 pack)	305463020		N/A	CAD-plated steel
500D	Pipe Plug, 1/8" (4 pack)	305463009		N/A	CAD-plated steel
510	Hex Bolt, Impeller	305463077		305463078	300 Series stainless steel
520	Washer, Impeller	305455013	305455014	305455015	Aluminum plate
530A	Bolts, Wear Plate	305463079			Zinc-plated steel
530B	Bolt, Flapper	305463080	305463081		Zinc-plated steel
530C	Hex Nut (8/6 pack)	305463033	305463059		Zinc-plated steel
530E	Nut, Flapper	305463082	305463083		Zinc-plated steel
530F	Washer, Flapper	305463084			Stainless steel
530G	Valve Hex Capscrew (4 or 8 pack)	305463010	305463085	305463086	Zinc-plated steel
530H	Washer, Bearing Cover	305463066		305463067	Zinc-plated steel
530J	Bolt, Bearing Cover	305463068		305463069	Zinc-plated steel
531	Threaded Stud, Transmission (6 pack)	305463031	305463073		Zinc-plated steel
532	Set Screw	305463074		305463075	Zinc-plated steel

\*Kit contains only one ball bearing

