

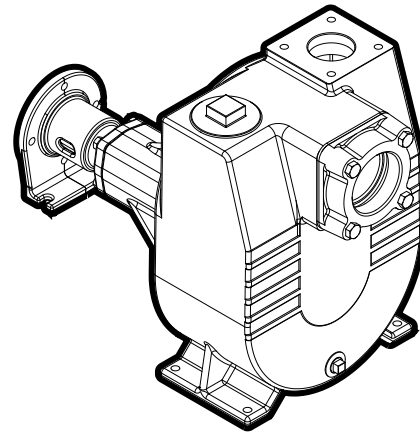
CENTRIFUGAL PUMPS

HYDRAULIC DRIVEN FMIH

FPS

FEATURES

- Volute: Rugged, cast iron construction with tapped openings for priming, venting, and draining
- Impeller: Semi-open cast iron; non clogging; designed for water, but capable of handling mud, sand, and silt up to 10% by volume
- Mechanical Seal: Standard carbon/ceramic faces, FKM elastomers, 300 series stainless components
- Bearing Frame: For hydraulic drive; heavy sealed bearings, a keyed stainless steel shaft, and replaceable wear plate for maintaining maximum efficiency
- Mounting: Horizontal; B-Fit 7/8" hydraulic spline shaft



SPECIFICATIONS

- Capacities to 760 gpm
- Heads to 145 feet
- 120 psi maximum working pressure
- 212 °F maximum temperature
- Clockwise rotation when viewed from motor end
- NPT pipe connections

Discharge	Suction
4"	4"

APPLICATIONS

- Irrigation
- Construction
- Mining
- Commercial
- Municipal
- Light Industrial
- Water Truck

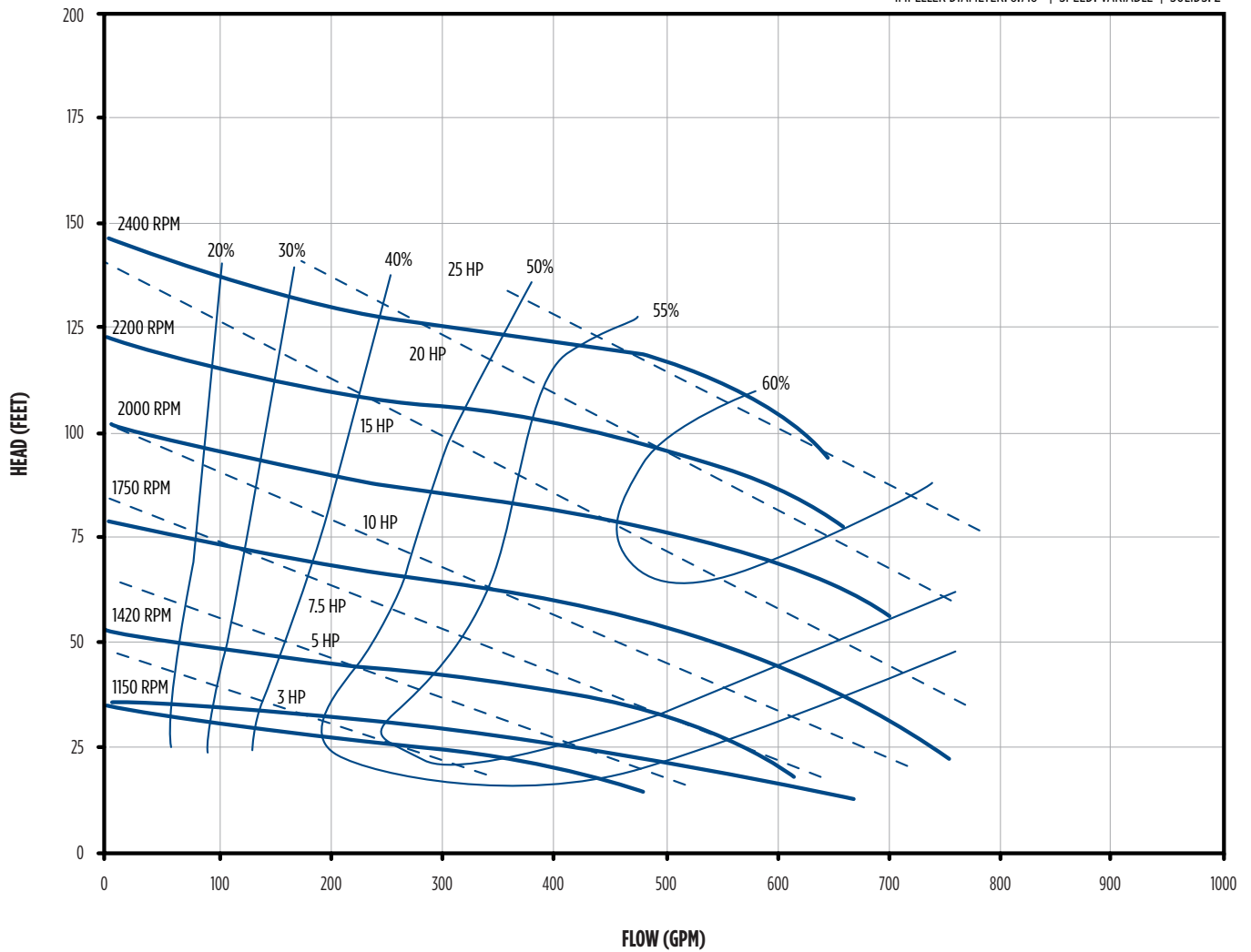
CENTRIFUGAL PUMPS

HYDRAULIC DRIVEN FMIH



PERFORMANCE

IMPELLER DIAMETER: 8.718" | SPEED: VARIABLE | SOLIDS: 2



CENTRIFUGAL PUMPS

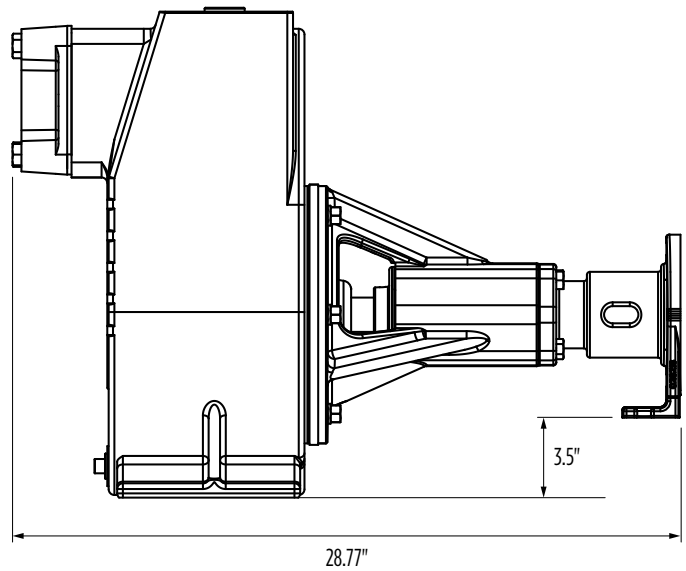
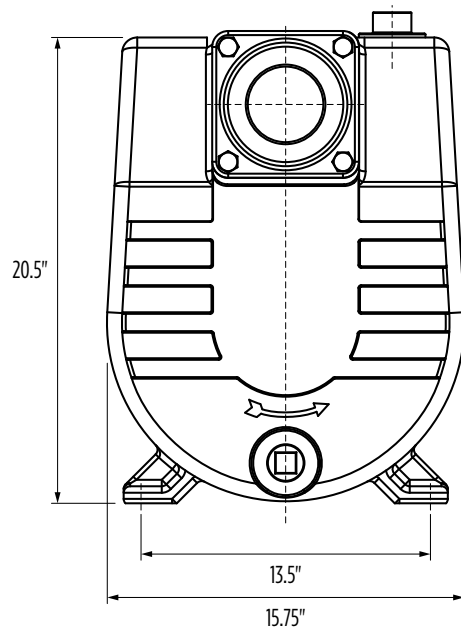
HYDRAULIC DRIVEN FMIH



ORDER INFORMATION

Pump Size (Dis. x Suc.)	Model Description	Order No.	Wt. (lbs)
4 x 4	FMIH-40	90295004	282

DIMENSIONS



NOTE: Dimensions are for estimating purposes only

CENTRIFUGAL PUMPS

HYDRAULIC DRIVEN FMIH



REPAIR PARTS

Fig No.	Part Description	FMIH-40	Materials of Construction
1	Pump Case	305455003	Cast iron, ASTM-A48 CL30
2	Impeller	305455006	Cast iron, ASTM-A48 CL30
3	Seal Plate	305454009	Cast iron, ASTM-A48 CL30
5	Shaft	305454015	7M-212SST
16	Ball Bearing (2 req.)*	305463036	Misc.
27	Hydraulic Adapter	305455017	Cast iron, ASTM-A48 CL30
28	Coupling	305455016	C1045 carbon steel
29	Set Screw (2 pack)	305463198	Zinc-plated steel
35	Shaft Key	305454017	1018 CRS
38	Bearing Nut	305463039	300 Series stainless steel
39	Bearing Lock Washer	305463042	Zinc-plated steel
71	Wear Plate	305455009	Cast iron, ASTM-A48 CL30
72	Check Valve	305454020	Cast iron, ASTM-A48 CL30
73A	Top Weight, Check Valve	305454023	Cast iron, ASTM-A48 CL30
73B	Bottom Weight, Check Valve	305454025	Cast iron, ASTM-A48 CL30
79	Transmission Head	305454033	Cast iron, ASTM-A48 CL30
81	Seal Cover	305454039	Cast iron, ASTM-A48 CL30
90	Mechanical Shaft Seal	305463044	Carbon/ceramic/FKM/316 stainless steel
100A	Case Gasket	305454042	NA60
100B	Flapper Valve	305454045	Neoprene
500A	Pipe Plug, 3"	305463197	CAD-plated steel
500B	Pipe Plug, 3/4" (3 pack)	305463050	CAD-plated steel
Not Shown	Pipe Plug, 4"	305463076	CAD-plated steel
510	Hex Bolt, Impeller	305463078	300 Series stainless steel
520	Washer, Impeller	305455015	1018 CRS
530A	Wear Plate Bolts (6 pack)	305463079	Zinc-plated steel
530B	Flapper Bolt	305463081	300 Series stainless steel
530C	Hex Nuts (6 pack)	305463059	Zinc-plated steel
530E	Nut, Flapper	305463083	Zinc-plated steel
530F	Hex Cap Screw, Valve (4 pack)	305463086	Zinc-plated steel
530G	Washer, Bearing Cover (6 pack)	305463067	Zinc-plated steel
530H	Bolt, Bearing Cover (4 pack)	305463069	Zinc-plated steel
531	Threaded Stud, Transmission (6 pack)	305463199	Zinc-plated steel
532	Set Screw (2 pack)	305463075	Zinc-plated steel
532	Set Screw	305463075	Zinc-plated steel

*Kit contains only one ball bearing

NOTES

HYDRAULIC DRIVEN FMIH



NOTES

HYDRAULIC DRIVEN FMIH





Franklin Electric