

SUBMERSIBLE TURBINE PUMPS

6" STS SERIES - 325 GPM

FPS

FEATURES

- 100% factory wet tested with test results shipped with each pump
- Premium ductile iron casting for longer life and higher pressures
- Longer discharge and motor bracket bearings for increased pump life
- Spiral cutlass rubber intermediate bearings designed for harsh environments
- 416 Stainless steel pump shaft ground and polished for maximum durability
- Investment cast stainless steel impellers for superior performance
- Custom configurations available
- The optional bracket provides the ability to use larger 8" motors on smaller 5" and 6" pumps, offering higher performance ratings and system optimization

SPECIFICATIONS

- 6" minimum well I.D.
- 10' minimum submergence above inlet
- 4" NPT discharge
- 350 psi standard (675 psi double bolted) maximum working pressure
- 150 ppm maximum allowable amount of sand
- Basic Model: 325STS6, PEI_{CL} Number: 0.92

MODEL NO. EXPLANATION

- Example: 175STS10D6X-0464
- 175 = GPM
- STS = Sub Turbine Series
- 10 = Motor HP
- D = Ductile Iron
- 6 = 6" Pump
- X = Impeller Trim Configuration
- 04 = Number of Stages
- 6 = 6" Motor Bracket
- 4 = 4" Discharge



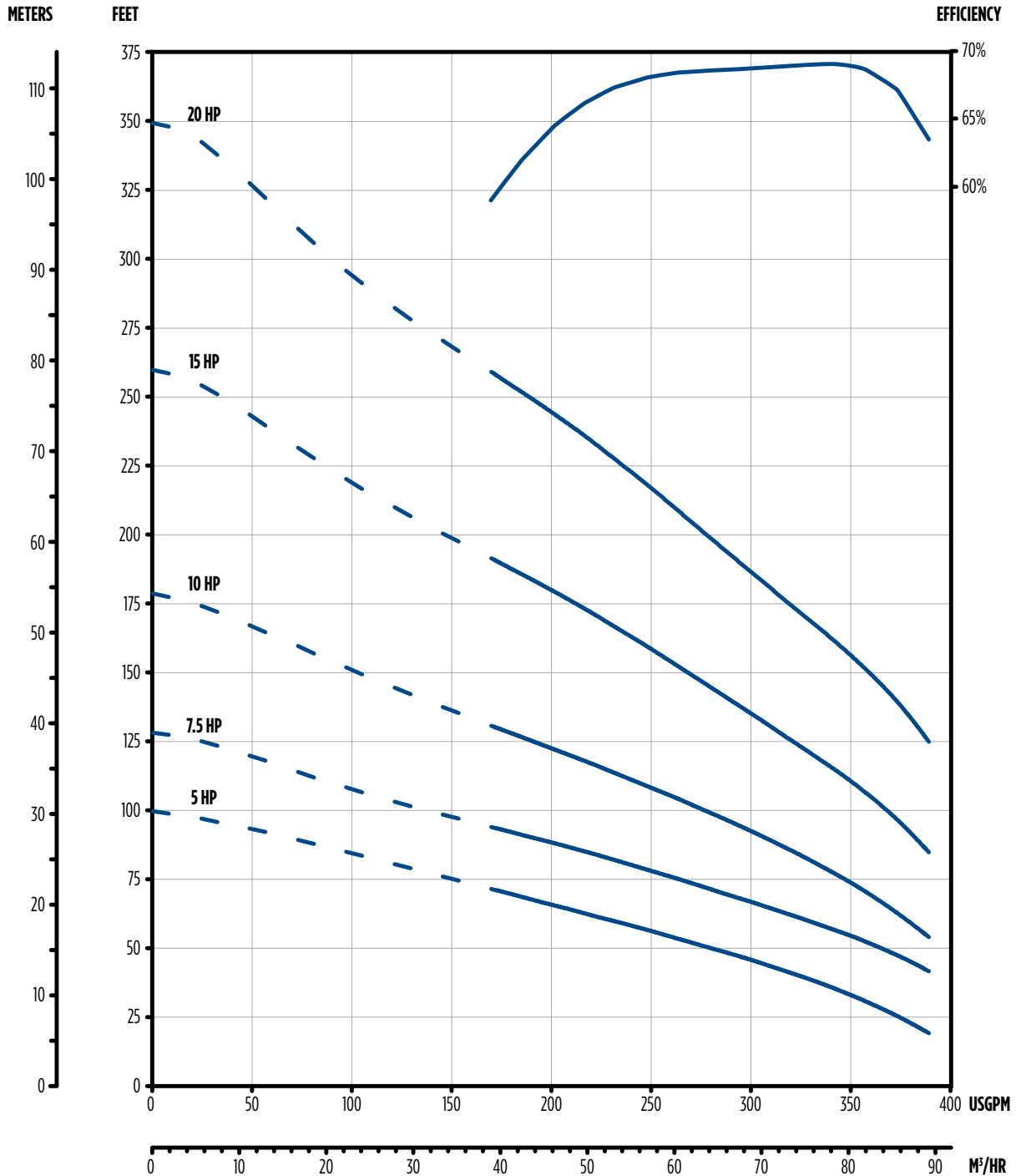
SUBMERSIBLE TURBINE PUMPS

6" STS SERIES - 325 GPM



PERFORMANCE

| Basic Model | PEI _{CL} Number |
|-------------|--------------------------|
| 325STS6 | 0.92 |



— RECOMMENDED OPERATING RANGE

NOTE: Performance based on 68 °F fresh water; 6" motor at 3450 rpm

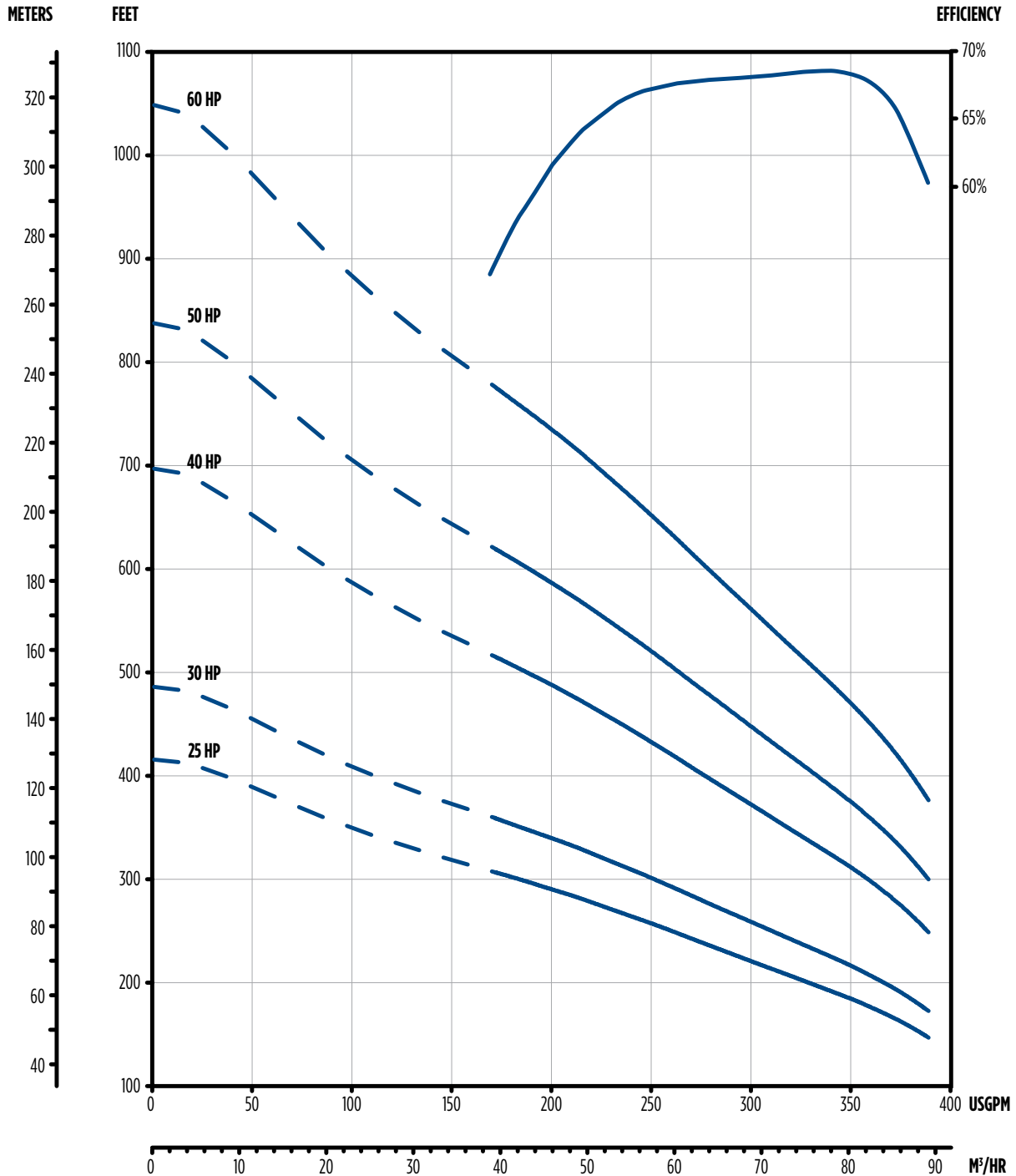
SUBMERSIBLE TURBINE PUMPS

6" STS SERIES - 325 GPM



PERFORMANCE

| Basic Model | PEI _{CL} Number |
|-------------|--------------------------|
| 325STS6 | 0.92 |



— RECOMMENDED OPERATING RANGE

NOTE: Performance based on 68 °F fresh water; 6" motor at 3450 rpm

SUBMERSIBLE TURBINE PUMPS

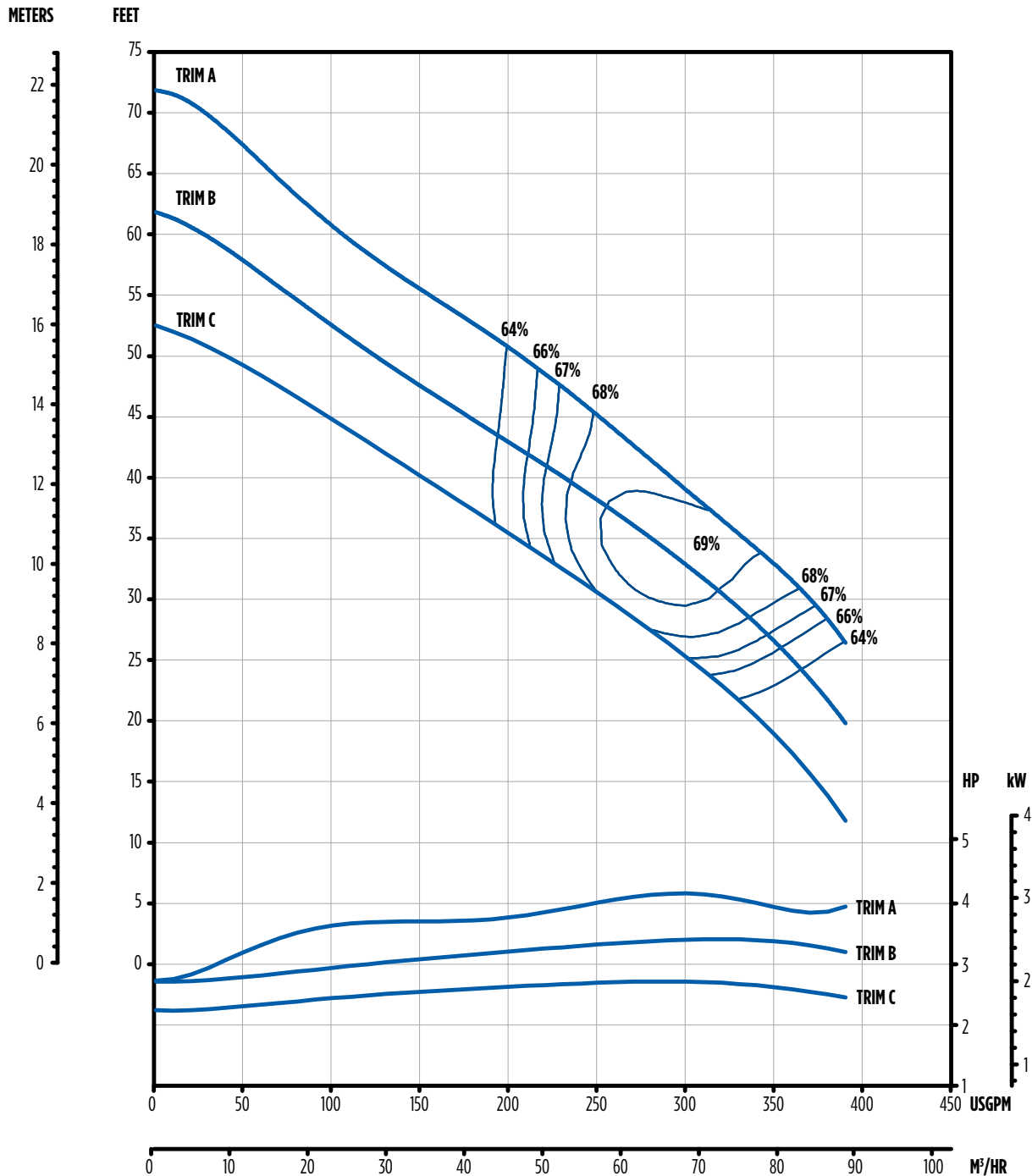
6" STS SERIES - 325 GPM



DIMENSIONS

SINGLE-STAGE

| Basic Model | PE _{CL} Number |
|-------------|-------------------------|
| 325STS6 | 0.92 |



Note: Efficiencies are typical, not guaranteed; efficiency correction required for low stage count (1 stage-6%, 2 stage-2%, 3 stage-1%); pumps are intentionally designed to utilize some portion of the motor's 1.15 service factor; bowl #9 begins transition to double bolted (8 bolts at bottom, 14 bolts at top); nominal rpm is 3450

SUBMERSIBLE TURBINE PUMPS

6" STS SERIES - 325 GPM



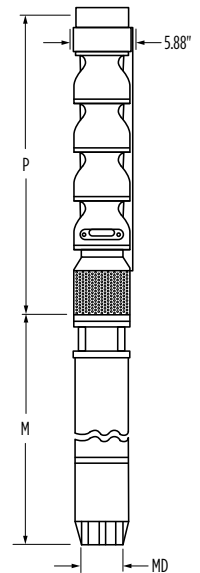
ORDERING INFORMATION

| HP | Stages | Trim Size | Motor Size | Discharge Size | Basic Model | PEI _{CL} | Order No. | Model No. | Shipping Wt. (lbs) |
|-----|--------|-----------|------------|----------------|-------------|-------------------|-------------|------------------|--------------------|
| 5 | 2 | C | 6" | 4" NPT | 325STS6 | 0.92 | 97060325202 | 325STS5D6C-0264 | 73 |
| 7.5 | 2 | 1A, 1B | | | | | 97060325302 | 325STS7D6X-0264 | 73 |
| 10 | 3 | B | | | | | 97060325103 | 325STS10D6B-0364 | 87 |
| 15 | 4 | 3A, 1C | | | | | 97060325304 | 325STS15D6X-0464 | 99 |
| 20 | 5 | A | | | | | 97060325005 | 325STS20D6A-0564 | 113 |
| 25 | 6 | A | | | | | 97060325006 | 325STS25D6A-0664 | 125 |
| 30 | 7 | A | | | | | 97060325007 | 325STS30D6A-0764 | 139 |
| 40 | 10 | A | | | | | 97060325010 | 325STS40D6A-1064 | 202 |
| 50 | 12 | A | | | | | 97060325012 | 325STS50D6A-1264 | 236 |
| 60 | 15 | A | | | | | 97060325015 | 325STS60D6A-1564 | 280 |

DIMENSIONS

| HP | Stages | Trim | Motor Size | P | M* | MD* | Motor Wt. | Pump Wt. |
|-----|--------|--------|------------|-------|-------|------|-----------|----------|
| | | | | in | in | in | | |
| 5 | 2 | C | 6" | 25.46 | 22.90 | 5.38 | 101 | 61 |
| 7.5 | 2 | 1A, 1B | | 25.46 | 24.20 | 5.38 | 108 | 61 |
| 10 | 3 | B | | 30.21 | 25.40 | 5.38 | 116 | 73 |
| 15 | 4 | 3A, 1C | | 34.96 | 28.00 | 5.38 | 129 | 85 |
| 20 | 5 | A | | 39.71 | 30.60 | 5.38 | 135 | 97 |
| 25 | 6 | A | | 44.46 | 33.10 | 5.38 | 148 | 109 |
| 30 | 7 | A | | 49.21 | 35.70 | 5.38 | 162 | 121 |
| 40 | 10 | A | | 63.46 | 40.80 | 5.38 | 195 | 156 |
| 50 | 12 | A | | 72.96 | 57.83 | 5.38 | 310 | 180 |
| 60 | 15 | A | | 87.21 | 63.83 | 5.38 | 340 | 215 |

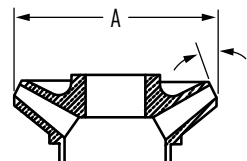
NOTE: *MD diameter = Franklin Electric Motor, M = Maximum Length of Franklin Electric Motor



DIMENSIONS

IMPELLER

| Trim | Diameter (in) | C Angle |
|------|---------------|---------|
| A | 4.500 | 30 ° |
| B | 4.250 | 30 ° |
| C | 4.000 | 30 ° |



MATERIALS

| Part Name | Common Material Name | Material Specification No. |
|-----------------------------|----------------------|----------------------------|
| Discharge Bracket | Ductile Iron | ASTM A536 65-45-12 |
| Top Bowl | Ductile Iron | ASTM A536 65-45-12 |
| Intermediate Bowl | Ductile Iron | ASTM A536 65-45-12 |
| Bearings, Discharge/Suction | Bronze | ASTM B584 C89835 |
| Impeller | 304 Stainless Steel | ASTM A743/A743M CF8 |
| Pump Shaft | 416 Stainless Steel | ASTM A582 S41600 |
| Suction Bracket | Ductile Iron | ASTM A536 65-45-12 |
| Bowl Bearing | Rubber | Rubber |
| Sand Collar | 300 Stainless Steel | ASTM A666 |
| Suction Screen | 302 Stainless Steel | ASTM A240 S30200 |
| Cable Guard | 300 Stainless Steel | ASTM A666 |
| Shaft Coupling | 416 Stainless Steel | ASTM A582 S41600 |
| Upthrust Bolt | 300 Stainless Steel | ASTM A666 |
| Taper Lock | 416 Stainless Steel | ASTM A582 S41600 |
| Bolting | 300 Stainless Steel | ASTM A666 |

NOTE: Bowl bearing and shaft options available; contact customer service for available options

SUBMERSIBLE TURBINE PUMPS

6" STS SERIES - 325 GPM

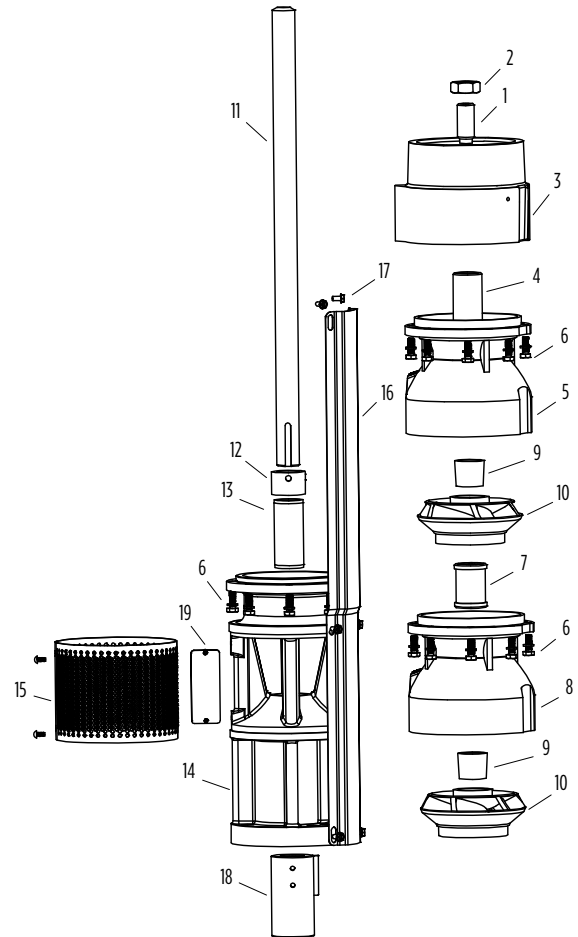


REPAIR PARTS

| Item No. | Part Description | Part No. | Qty. Per |
|----------|--|-----------|----------|
| 1,2 | Upthrust Bolt/Nut Kit | 305471553 | 1 |
| 3 | Discharge 4" NPT (no top bearing) | 305471449 | 1 |
| | Discharge 4" NPT w/Rubber Top Bearing | 305471453 | |
| | Discharge 4" NPT w/FKM Top Bearing | 305471455 | |
| 4 | Top Bearing, Bronze-100 GPM (included in 5) | 305471385 | As Req. |
| | Top Bearing, Rubber (included in 3) | 305471395 | |
| | Top Bearing, FKM (included in 3) | 305471396 | |
| 5 | Top Bowl w/Bronze Top Bearing | 305471523 | As Req. |
| | Top Bowl w/Bronze Top Bearing XP | 305471524 | |
| 6 | Bowl Bolt Kit (8 pieces)* | 305471548 | As Req. |
| | Bowl Bolt Kit (1000 pieces) | 305471550 | |
| 7 | Bowl Bearing, Bronze-100 GPM (included in 8) | 305471387 | As Req. |
| | Bowl Bearing, Rubber-100 GPM (Included in 8) | 305471398 | |
| | Bowl Bearing, FKM-100 GPM (included in 8) | 305471399 | |
| 8 | Bowl and Bearing Assembly, Bronze | 305471503 | As Req. |
| | Bowl and Bearing Assembly XP, Bronze | 305471507 | |
| | Bowl and Bearing Assembly, Rubber | 305471501 | |
| | Bowl and Bearing Assembly XP, Rubber | 305471505 | |
| | Bowl and Bearing Assembly, FKM | 305471504 | |
| 9 | Taper Lock Collet Kit (included in 10) | 305471372 | As Req. |
| 12 | Sand Cap w/Set Screws | 305471374 | 1 |
| 13 | Motor Bracket Bearing, Bronze (included in 14) | 305471389 | As Req. |
| | Motor Bracket Bearing, Rubber (included in 14) | 305471395 | |
| | Motor Bracket Bearing, FKM (included in 14) | 305471396 | |
| 14 | 6" Motor Bracket w/Bronze Bearing | 305471427 | 1 |
| | 6" Motor Bracket w/Rubber Bearing | 305471428 | |
| | 6" Motor Bracket w/FKM Bearing | 305471430 | |
| | 8" Motor Bracket w/Bronze Bearing** | 305472602 | |
| 15 | 6" Suction Screen w/Screws | 305471377 | 1 |
| 17 | Cable Guard Screw Kit (8 pieces) | 305471000 | 1 |
| 18 | 6" Coupling | 305471402 | 1 |
| - | 6" Motor Bolt Kit | 305352901 | 1 |
| 19 | Nameplate w/Drive Screws | 305418901 | 1 |
| - | Owner's Manual | 106089101 | 1 |

*Pumps of 9 stages or more require double bolting; two bolt kits (305471548) per stage will be required for the 9th stage and above

**8" Motor rated up to 60 hp



REPAIR PARTS

IMPELLER

| Item No. | Trim | Diameter (in) | C Angle | Kit w/Collets |
|----------|------|---------------|---------|---------------|
| 10 | A | 4.500 | 30 ° | 305471572 |
| | B | 4.250 | 30 ° | 305471573 |
| | C | 4.000 | 30 ° | 305471574 |

NOTE: Shaft and cable guard information located on the following pages

SUBMERSIBLE TURBINE PUMPS

6" STS SERIES - 325 GPM



REPAIR PARTS

| 6" Shafts | | | | |
|-----------|---------------|---------------|-----------|-----------|
| Item No. | Stages | Length | Part No. | |
| | | | 416 SS | Chrome |
| 11 | 1 | 15.56 | 305471302 | 305471345 |
| | 2 | 20.31 | 305471303 | 305471346 |
| | 3 | 25.06 | 305471304 | 305471347 |
| | 4 | 29.81 | 305471305 | 305471348 |
| | 5 | 34.56 | 305471306 | 305471349 |
| | 6 | 39.31 | 305471307 | 305471350 |
| | 7 | 44.06 | 305471308 | 305471351 |
| | 8 | 48.81 | 305471309 | 305471352 |
| | 9 | 53.56 | 305471310 | 305471353 |
| | 10 | 58.31 | 305471311 | 305471354 |
| | 11 | 63.06 | 305471312 | 305471355 |
| | 12 | 67.81 | 305471313 | 305471356 |
| | 13 | 72.56 | 305471314 | 305471357 |
| | 14 | 77.31 | 305471295 | 305471338 |
| | 15 | 82.06 | 305471315 | 305471358 |
| | 16 | 86.61 | 305471316 | 305471359 |
| | 17 | 91.56 | 305471317 | 305471360 |
| | 18 | 96.31 | 305471318 | 305471361 |
| | 19 | 101.06 | 305471319 | 305471362 |
| | | Cut-To-Length | 4 | 305471363 |
| | Cut-To-Length | 6 | 305471364 | - |
| | Cut-To-Length | 8 | 305471365 | - |
| | Cut-To-Length | 10 | 305471366 | - |

| 6" Cable Guards (Pre-Cut) | | | |
|---------------------------|---------------|-------------|-----------|
| Item No. | Stages | Length (in) | Part No. |
| 16 | Cut-To-Length | 120.00 | 305471100 |
| | 1 | 18.62 | 305471121 |
| | 2 | 23.38 | 305471122 |
| | 3 | 28.12 | 305471123 |
| | 4 | 32.88 | 305471124 |
| | 5 | 37.62 | 305471125 |
| | 6 | 42.38 | 305471126 |
| | 7 | 47.12 | 305471127 |
| | 8 | 51.88 | 305471128 |
| | 9 | 56.62 | 305471129 |
| | 10 | 61.38 | 305471130 |
| | 11 | 66.12 | 305471131 |
| | 12 | 70.88 | 305471132 |
| | 13 | 75.62 | 305471133 |
| | 14 | 80.38 | 305471119 |
| | 15 | 85.12 | 305471134 |
| | 16 | 89.88 | 305471135 |
| | 17 | 94.62 | 305471136 |
| | 18 | 99.38 | 305471137 |
| 19 | 104.12 | 305471138 | |

