

SUBMERSIBLE PUMPS

6" TRI-SEAL HIGH CAPACITY

Ideal for farm, home, irrigation, industry, municipal, and commercial applications, equipped with the power, performance, and reliability you expect from Franklin Electric.

FEATURES

- Heavy-duty stainless steel discharge head and motor bracket
- Stainless steel shaft, shell, intake screen, and cable guard provides corrosion resistance and longer pump life
- High flow hydraulic staging allows for maximum pump output, exceeds all energy efficiency standards, and provides increased product longevity
- Glass-filled modified PPO impeller stage assemblies provide exceptional strength and durability
- Ceramic shaft sleeve and rubber discharge bearing minimizes bearing wear and shaft misalignment
- 3" NPT heavy-duty stainless steel discharge head
- Modular motor bracket enabling 4" or 6" motor mount for 5-10 hp units
- Flow ratings of 50, 75, 100, and 125 gpm with TDH up to 1400 ft
- Horsepower ranges from 1-1/2 to 40 hp

SPECIFICATIONS

- 120 °F / 49 °C maximum operating temperature
- 550 psi maximum working pressure
- 3" discharge
- 6" minimum well I.D.
- 5' minimum submergence above inlet
- 200 ppm maximum allowable amount of sand

APPLICATIONS

- Industrial
- Agricultural
- Municipal
- Commercial



MATERIALS

Parts Description	Type	Material Spec. No.
Discharge Bracket	303 Stainless Steel	AISI Type 303
Top Bowl	Glass-filled Modified PPO	PPO
Eye/Hub Seal	Polyurethane	Polyurethane
Bearings, Discharge & Suction	Ceramic	Ceramic
Impeller	Glass-filled Modified PPO	PPO
Pump Shaft	416 Stainless Steel	AISI Type 416
Suction Bracket	303 Stainless Steel	AISI Type 303
Suction Screen	Stainless Steel	18-8 Stainless Steel
Cable Guard	Stainless Steel	18-8 Stainless Steel
Shaft Coupling	Stainless Steel	316 P.M. Stainless Steel
Upthrust Washer	Canvas Phenolic	Canvas Phenolic
Bolting	Stainless Steel	300 Series Stainless Steel

NOTES: Bowl bearing and shaft options available. Contact customer service for available options.

SUBMERSIBLE PUMPS

6" TRI-SEAL HIGH CAPACITY

MODEL NOMENCLATURE

5 0 F H 2 S 6 - P E

- Pump End
- Pump Size (6")
- Materials of Construction (Stainless Steel)
- Motor HP (2)
- Franklin Electric (High Capacity)
- Pump GPM (50-125)

ORDER INFORMATION

6" Tri-Seal High Capacity Pump Ends								
GPM	HP	Stages	Weight (lbs)	Length (in)	Model	Order No.	Basic Model	PEI _{cl} Number
50	1.5	3	30	13.5	50FH15S6-PE	93655003	50S6	1.00
	2	4	31	15.1	50FH2S6-PE	93655004		
	3	5	32	16.8	50FH3S6-PE	93655005		
	5	8	36	21.6	50FH5S6-PE	93655008		
	7.5	11	40	26.5	50FH7S6-PE	93655011		
	10	15	46	32.9	50FH10S6-PE	93655015		
	15	22	46	47.6	50FH015S6-PE	93655022		
75	3	3	30	13.5	75FH3S6-PE	93657503	75S6	0.99
	5	5	32	16.8	75FH5S6-PE	93657505		
	7.5	7	35	20.0	75FH7S6-PE	93657507		
	10	9	38	23.3	75FH10S6-PE	93657509		
	15	13	43	29.8	75FH15S6-PE	93657513		
	20	17	48	36.2	75FH20S6-PE	93657517		
100	25	23	52	46.0	75FH25S6-PE	93657523	100S6	N/A
	5	3	30	15.1	100FH5S6-PE	93650003		
	7.5	5	33	19.2	100FH7S6-PE	93650005		
	10	6	34	21.3	100FH10S6-PE	93650006		
	15	10	39	29.6	100FH15S6-PE	93650010		
	20	12	41	33.8	100FH20S6-PE	93650012		
125	25	16	47	42.1	100FH25S6-PE	93650016	125S6	N/A
	5	2	29	12.9	125FH5S6-PE	93652502		
	7.5	4	31	17.1	125FH7S6-PE	93652504		
	10	5	33	19.2	125FH10S6-PE	93652505		
	15	8	36	25.4	125FH15S6-PE	93652508		
	20	10	39	29.6	125FH20S6-PE	93652510		
	25	13	43	35.9	125FH25S6-PE	93652513		
	30	16	46	42.1	125FH30S6-PE	93652516		
40	20	51	50.4	125FH40S6-PE	93652520			

NOTES: Discharge is 3" NPT. Maximum diameter across cable guard is 5.50" on all models.
100 and 125 GPM models are outside the scope of the Department of Energy Pump Efficiency Standards. As such, a Pump Energy Index (PEI) is not required or published.

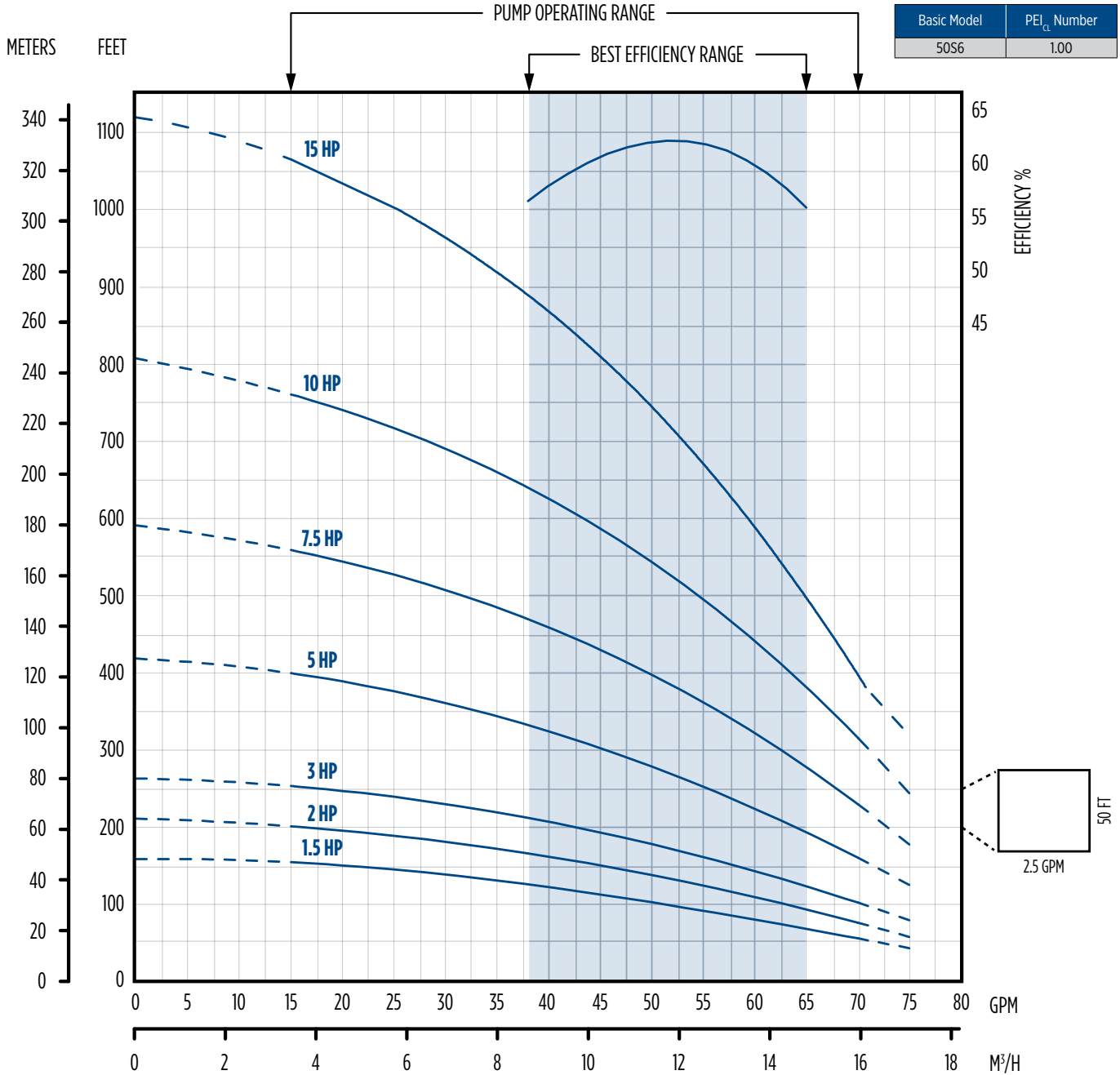
SUBMERSIBLE PUMPS

6" TRI-SEAL HIGH CAPACITY

PERFORMANCE

50 GPM

Basic Model	PEI _{CL} Number
50S6	1.00

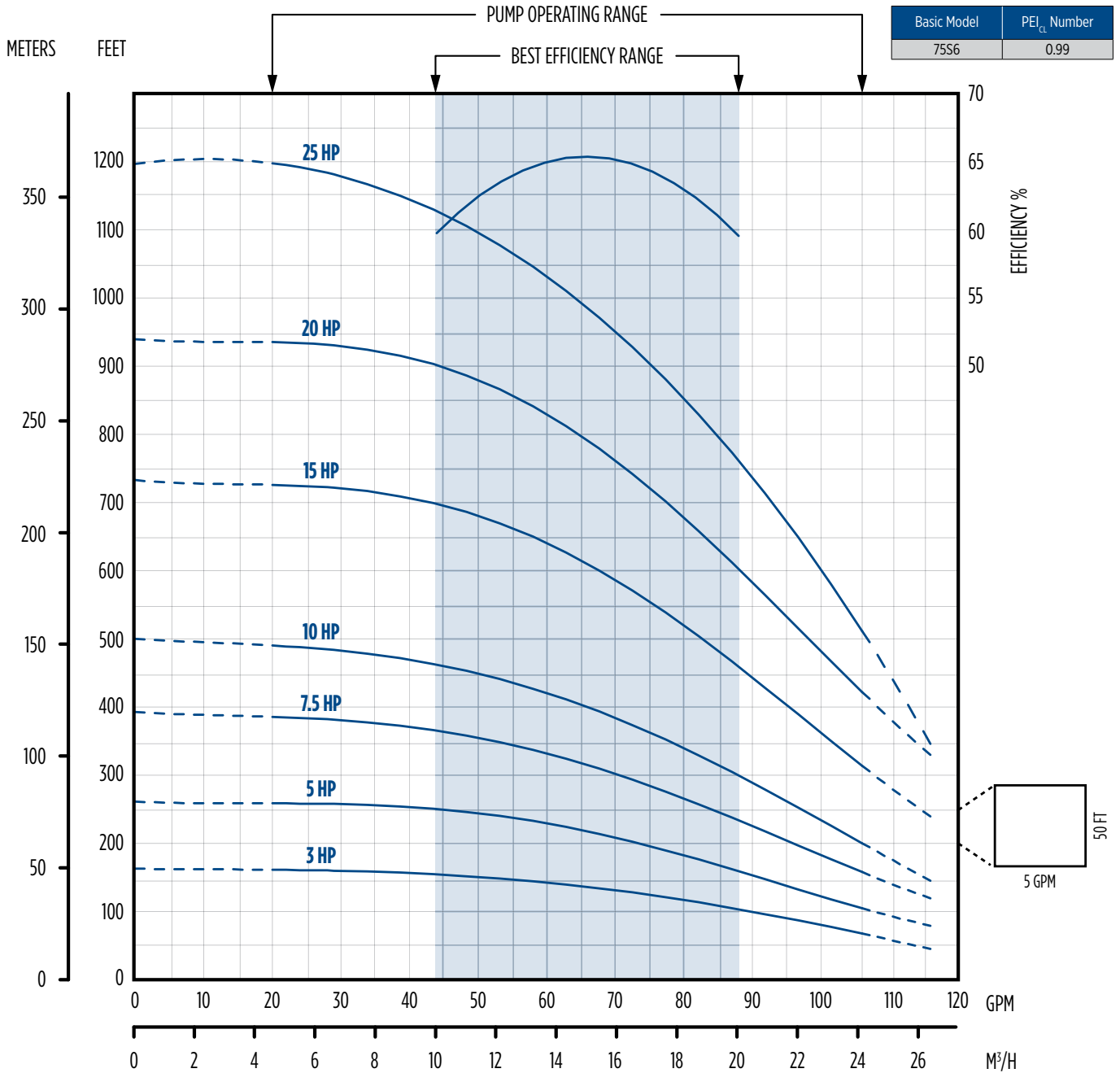


SUBMERSIBLE PUMPS

6" TRI-SEAL HIGH CAPACITY

PERFORMANCE

75 GPM

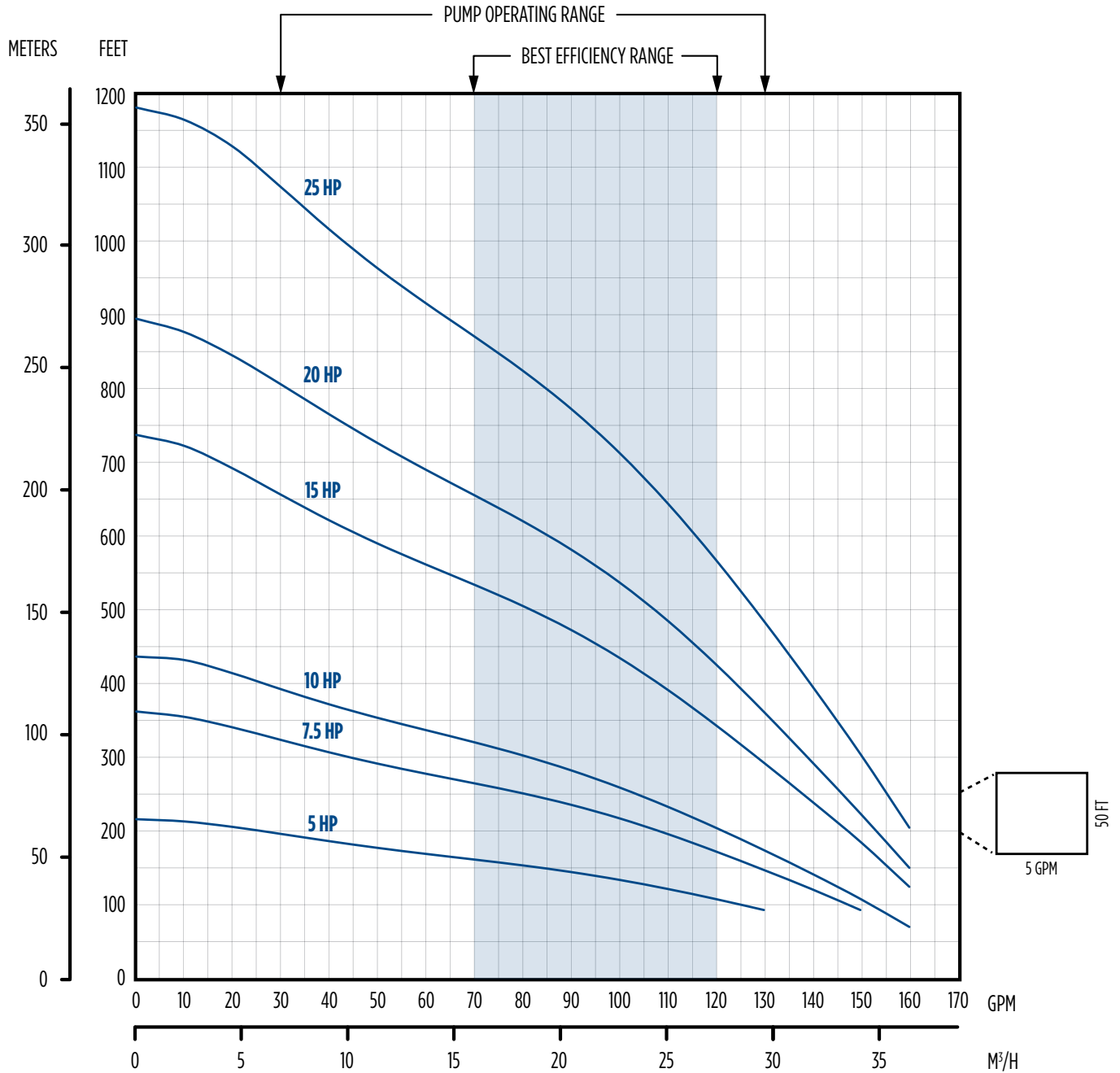


SUBMERSIBLE PUMPS

6" TRI-SEAL HIGH CAPACITY

PERFORMANCE

100 GPM



SUBMERSIBLE PUMPS

6" TRI-SEAL HIGH CAPACITY

PERFORMANCE

100 GPM

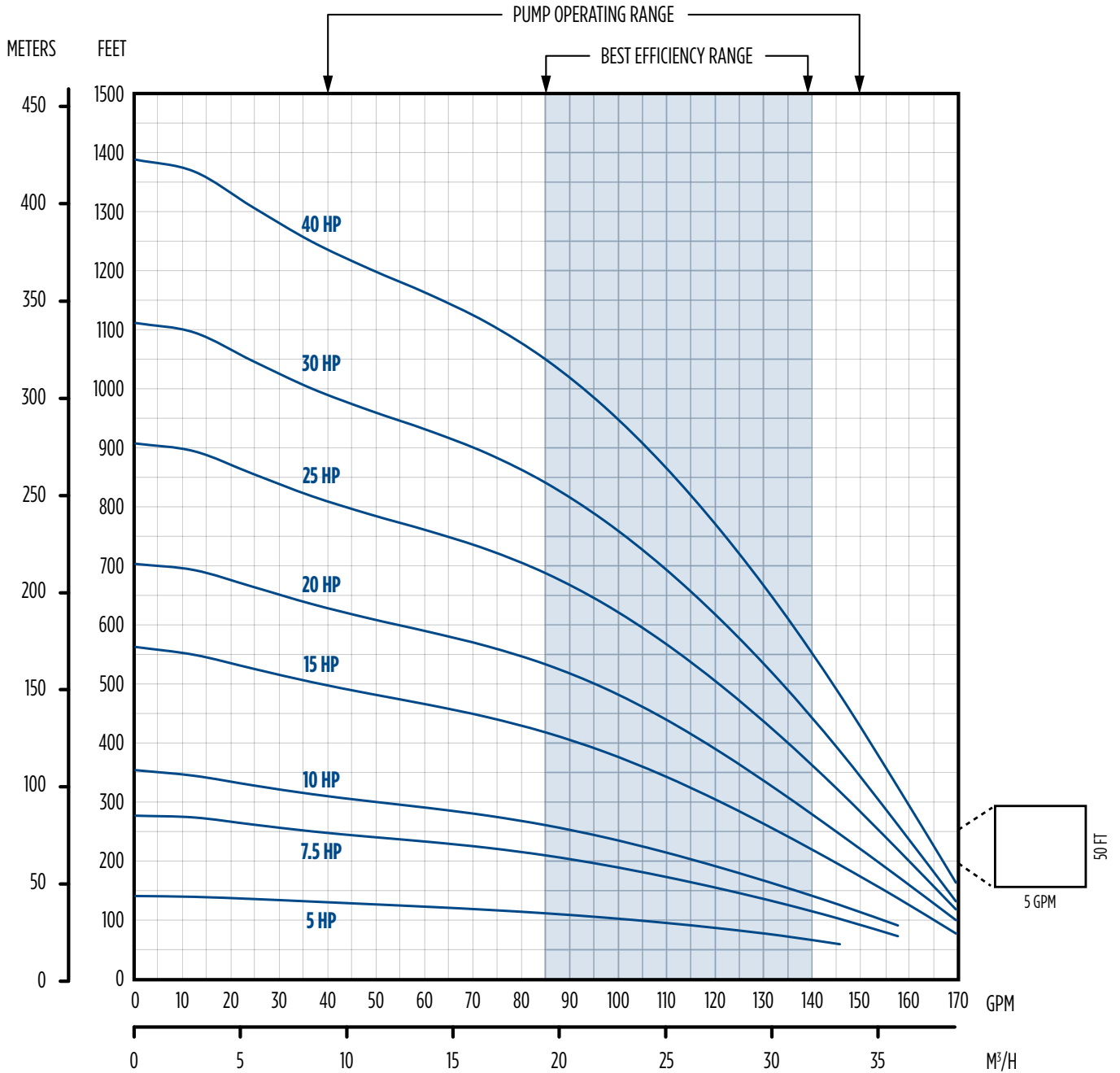
HP	PSI	Depth to Pumping Water Level (Lift) in Feet. Shaded Areas Indicate Most Efficient Performance.															Shut-Off (ft)		
		0	20	40	60	80	100	120	140	160	180	200	240	280	320	360		400	
5	0						125	110	92	72	48								
	10					123	107	89	68	44									
	20				120	105	86	64	40										
	30		132	118	102	83	61	36											
	40	130	116	99	80	57	32												
	50	113	96	76	53														
	60	93	73	50															
	70	70	46																
	80	42																	
Shut-off PSI		94	85	76	68	59	50	42	33	24	16								
7.5	0										117	107	85	59	30				
	10										115	106	95	71	42				
	20							123	114	104	93	82	55						
	30						121	112	102	92	80	66	38						
	40				120	111	101	90	78	64	50								
	50				119	109	99	88	76	62	48	33							
	60			117	108	98	86	74	60	46	31								
	70		116	106	96	84	72	58	43										
	80	114	105	94	82	69	56	41											
Shut-off PSI		156	147	139	130	121	113	104	95	87	78	69	52	35	17				
10	0										128	121	106	89	69	47			
	10										127	120	113	96	78	56	33		
	20								126	119	111	103	86	66	43				
	30						131	125	118	110	102	94	74	53					
	40				130	124	117	109	101	92	83	62	39						
	50				129	123	115	108	100	91	81	71	49						
	60			128	121	114	106	98	89	80	70	59	36						
	70		127	120	113	105	97	88	78	68	57	46							
	80	126	119	112	104	95	86	77	66	55	44	32							
Shut-off PSI		187	179	170	161	153	144	135	127	118	110	101	84	66	49	32			
15	0									124	116	106	96	85	79	64	47	29	
	10									128	120	110	101	90	78	62	46	29	
	20								131	123	114	105	95	83	71	55	38	21	
	30								127	118	109	99	88	76	64	49	32		
	40						130	122	113	103	93	82	69	56	43				
	50					129	125	117	107	97	86	75	62	48	33				
	60				129	125	121	112	102	91	80	67	54	40	26				
	70		132	128	124	120	115	106	96	85	73	60	46	32					
	80	132	128	123	119	115	110	100	89	78	65	52	38						
Shut-off PSI		273	264	255	247	238	229	212	195	177	160	143	126	108	100	78	56	35	
20	0							130	123	117	109	105	95	83	71	57	43		
	10						133	126	120	112	105	100	90	78	65	51	36		
	20						129	122	115	108	100	96	84	72	58	44	29		
	30					132	125	118	111	103	95	90	79	66	52	37			
	40					128	121	114	107	98	90	85	73	59	45	30			
	50				131	124	117	110	102	93	84	80	67	53	38				
	60				127	120	113	105	97	88	79	74	61	46	32				
	70			130	123	116	109	101	92	83	73	68	54	40					
	80	132	129	126	119	112	104	96	87	77	67	62	47	33					
Shut-off PSI		314	306	297	280	262	245	228	210	193	176	167	145	124	102	81	59		
25	0					130	128	121	115	107	100	92	83	74	64	53	42	31	
	10					132	127	125	118	111	104	96	88	79	69	59	48	37	
	20					129	124	122	115	108	100	92	84	74	65	54	43	32	
	30				131	127	121	119	112	104	97	88	79	70	60	49	38		
	40				129	124	118	116	108	101	93	84	75	65	55	44	33		
	50			131	126	121	115	112	105	97	89	80	71	61	50	39			
	60	133	128	123	117	112	109	102	93	85	76	66	56	45	34				
	70	130	125	120	114	109	106	98	90	81	71	61	51	40					
	80	127	122	117	111	105	102	94	86	77	67	57	46	35					
Shut-off PSI		368	351	333	316	299	290	268	247	225	203	182	160	139	117	95	74	52	

SUBMERSIBLE PUMPS

6" TRI-SEAL HIGH CAPACITY

PERFORMANCE

125 GPM



SUBMERSIBLE PUMPS

6" TRI-SEAL HIGH CAPACITY

PERFORMANCE

125 GPM

HP	PSI	Depth to Pumping Water Level (Lift) in Feet. Shaded Areas Indicate Most Efficient Performance.																	Shut-Off (ft)			
		0	20	40	60	80	100	120	140	160	180	200	240	280	320	360	400	440		480	500	
5	0				145	125	99	60														138
	10			135	122	94	51															
	20		139	118	89	42																
	30	136	114	83																		
	40	110	77																			
	50	71																				
Shut-off PSI		60	51	42	34	25	16	8														
7.5	0					149	140	130	119	106	90	49										273
	10					148	139	128	117	103	88	69										
	20				146	137	127	115	101	85	65	41										
	30			145	136	125	113	99	82	62												
	40		144	134	123	111	97	79	58													
	50	142	132	121	109	94	76	55														
	60	131	120	107	92	73	51															
	70	118	104	89	70	47																
80	102	86	67	43																		
Shut-off PSI		118	110	101	92	84	75	66	58	49	40	32	14									
10	0						150	143	135	127	118	96	67									351
	10						149	142	134	126	116	106	80	47								
	20					148	141	133	124	115	104	92	62									
	30				147	140	132	123	113	102	90	76	41									
	40			146	138	130	121	112	100	88	73	56										
	50		145	137	129	120	110	99	86	71	54											
	60	144	136	128	118	108	97	83	68	51												
	70	135	126	117	107	95	81	66	48													
80	125	115	105	93	79	63	45															
Shut-off PSI		152	143	135	126	117	109	100	91	83	74	65	48	31								
15	0										149	139	129	118	105	90	73	52	40			559
	10										148	143	134	123	111	97	81	62				
	20									152	147	143	138	127	116	103	88	70	49			
	30								151	146	142	137	132	121	109	95	78	58				
	40						150	146	141	136	131	126	114	101	85	67	45					
	50					150	145	140	135	130	125	119	107	92	75	55						
	60				149	144	140	135	130	124	118	112	99	83	64	41						
	70			148	144	139	134	129	123	117	111	105	90	72	51							
80	152	147	143	138	133	128	122	116	110	103	96	80	61									
Shut-off PSI		242	233	225	216	207	199	190	181	173	164	155	138	121	103	86	69	52	34	26		
20	0										145	137	129	121	111	100	94	78	58			700
	10										148	141	133	124	115	105	93	87	69	46		
	20								151	144	136	128	119	109	98	86	79	59				
	30							150	147	140	132	123	114	103	91	78	70	48				
	40						150	146	143	135	127	118	108	97	84	69	61					
	50					149	146	142	138	130	122	112	102	90	76	60	50					
	60				149	145	142	138	134	125	116	106	95	82	67	49						
	70		152	148	145	141	137	133	129	120	111	100	88	73	57							
80	151	148	144	140	137	133	128	124	115	104	93	80	64	46								
Shut-off PSI		277	268	260	251	242	234	225	216	199	182	165	147	130	113	95	87	65	43			

SUBMERSIBLE PUMPS

6" TRI-SEAL HIGH CAPACITY

PERFORMANCE

125 GPM

HP	PSI	Depth to Pumping Water Level (Lift) in Feet. Shaded Areas Indicate Most Efficient Performance.																			Shut-Off (ft)			
		120	140	160	180	200	240	280	320	360	400	440	480	500	550	600	650	700	750	800		850	900	
25	0								150	145	139	134	127	124	115	105	94	81	66	48	27	4	906	
	10								147	142	136	130	123	120	110	100	88	74	58	39	16	0		
	20								149	144	139	133	126	119	116	106	95	82	67	49	29	6		0
	30								146	141	135	129	122	115	111	101	89	75	59	40	18	0		
	40							149	143	138	132	125	118	111	107	96	83	68	51	30	7	0		
	50					151	146	140	134	128	121	114	106	102	90	77	61	42	20	0				
	60				150	148	142	137	131	124	117	109	101	96	84	70	52	32	9	0				
	70		153	150	147	145	139	133	127	120	113	105	96	91	78	62	43	22	0					
80	152	150	147	144	142	136	130	123	116	108	100	90	85	71	54	34	11	0						
Shut-off PSI		340	332	323	314	306	288	271	254	236	219	202	184	176	154	132	111	89	68	46	24	3		

HP	PSI	200	240	280	320	360	400	440	480	500	550	600	650	700	750	800	850	900	950	1000	1050	Shut-Off (ft)
		0							149	145	141	138	132	126	119	111	103	93	83	71	57	
30	10						147	143	138	136	129	123	115	107	99	89	78	65	50	33		
	20					149	144	140	135	133	126	119	112	103	94	84	72	58	43			
	30				150	146	142	137	132	130	123	116	108	99	90	78	66	51				
	40			152	148	144	139	134	129	127	120	112	104	95	85	73	59	44				
	50			150	146	141	136	132	126	124	116	109	100	90	79	67	52					
	60		151	147	143	138	134	129	123	120	113	105	96	85	74	60	45					
	70		149	145	140	136	131	126	120	117	109	101	91	80	68	54						
	80	151	147	142	138	133	128	122	117	114	105	96	86	75	62	46						
Shut-off PSI		395	377	360	343	326	308	291	274	265	243	222	200	178	157	135	113	92	70	48		

HP	PSI	280	320	360	400	440	480	500	550	600	650	700	750	800	850	900	950	1000	1050	1100	1150	1200	1250	Shut-Off (ft)
		0							151	149	145	141	136	131	126	120	114	108	101	93	85	76	66	
40	10						149	147	143	138	134	129	123	118	111	105	98	90	81	71	61	48		
	20					150	147	145	141	136	131	126	121	115	108	102	94	86	77	66	55	42		
	30					149	145	143	139	134	129	124	118	112	105	98	90	82	72	61	49			
	40				150	147	143	141	137	132	127	121	115	109	102	95	86	77	67	56	43			
	50			151	148	145	141	139	134	129	124	118	112	106	99	91	82	73	62	50				
	60			149	146	143	139	137	132	127	122	116	109	103	95	87	78	68	57	44				
	70		151	147	144	140	137	135	130	125	119	113	106	99	92	83	74	63	51					
	80	152	149	146	142	138	135	133	127	122	116	110	103	96	88	79	69	58	45					
Shut-off PSI		481	463	446	429	411	394	385	364	342	320	299	277	255	234	212	190	169	147	126	104	82	61	

NOTES: Discharge 3" NPT; Performance shown does not include friction loss in the drop pipe; All performance data is based on rated motor nameplate voltage

SUBMERSIBLE PUMPS

6" TRI-SEAL HIGH CAPACITY

REPAIR PARTS

50-125 GPM

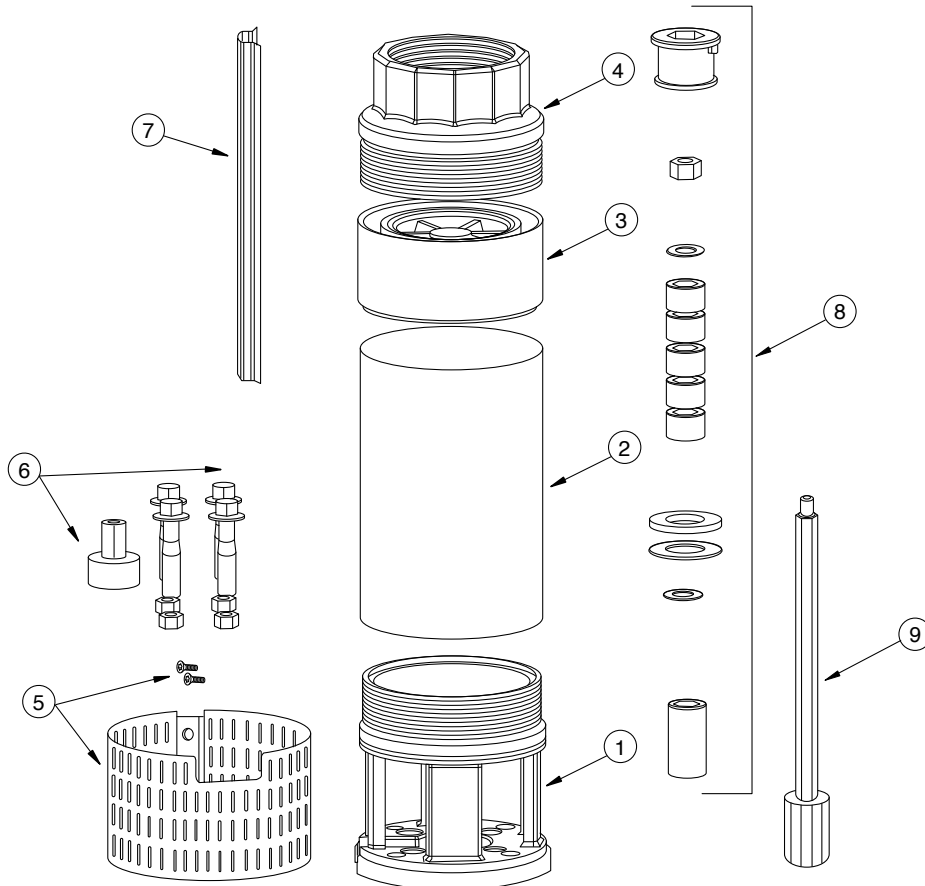


Figure No.	Part No.	Description
1	305354002	S.S. Bracket - All Models
2	Shell	Consult Customer Service for Size and Availability
3	305354005	50 GPM Stage Assembly for 3, 5, 7.5, & 10 HP - Prior Jan 2007
	305354006	50 GPM Stage Assembly for 1.5 & 2 HP - Prior Jan 2007
	305354007	75 GPM Stage Assembly for 7.5, 10, 15, & 20 HP - Prior Jan 2007
	305354008	50 GPM Stage Assembly for All Models - Beginning Jan 2007
	305354009	75 GPM Stage Assembly for 3 & 5 HP - Prior Jan 2007 and All Models Beginning Jan 2007
	305354010	75 GPM Stage Assembly for top stage of 5HP model - Beginning Jan 2007
		100 GPM Stage Assembly
		125 GPM Stage Assembly
4	305354003	S.S. Discharge (3" NPT) - All Models
5	305354001	S.S. Screen with Machine Screws (2 each) - All Models
6	305354903	4" Motor Bolt Kit for 1.5 - 3 HP
	305354901	4" & 6" Motor Bolt Kit for 5 - 10 HP
	305354902	6" Motor Bolt Kit for 15 - 40 HP
7	Cable Shield	Consult Customer Service for Size and Availability
8	305354011	Bearing and Spacers Repair Kit
9	Shaft	Consult Customer Service for Size and Availability

SUBMERSIBLE PUMPS

6" TRI-SEAL HIGH CAPACITY



Franklin Electric