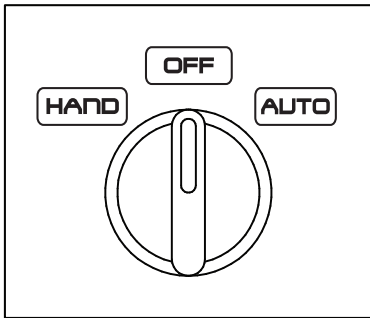


Operation

- Intended for use with 3-Phase, 50/60Hz
- Accepts 208-600VAC $\pm 10\%$
- Short Circuit (RMS, Symmetrical)
Stand-Alone Overload Unit - 200 KAIC, 600V Max.
Standard Starter - See UL label on panel
Combination Starter - See UL label on panel
- Ambient Operating Temperature = -20°C to 60°C
- Ambient Storage Temperature = -40°C to 85°C



- Ensure that all connections are properly torqued and enclosure is closed prior to applying power to the device.
- Ensure all mechanical equipment operated by the starter is clear for safe operation in case of starter activation.
- When in AUTO mode, starter may be activated remotely by the control system



Operation Modes

HAND

Place the switch in the HAND position to manually engage motor.

OFF (RESET)

Place the switch in the OFF position to manually disengage the motor. Additionally, the OFF position serves as a manual reset. Place the switch in the OFF position for 5 seconds to reset the starter after a fault trip.

AUTO

Placing the switch in the AUTO position will allow the starter to be controlled by a remote Start/Stop command.

Setting Adjustments

Overload

Set the overload dial to the SFA amperage value listed on the motor nameplate. If no amperage value for SFA is provided, set the overload dial to the FLA listed on the motor nameplate.

Underload

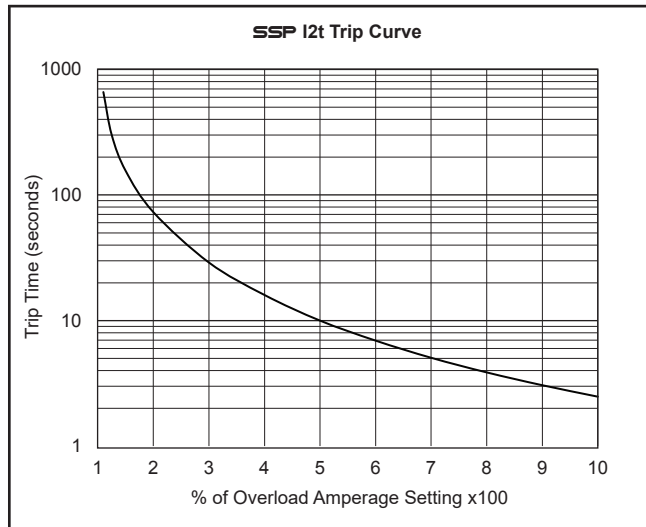
For submersible motor applications, it is suggested that the dial be set to 70% to protect against dry-run condition.



Submersible pumps can develop very high pressure in some situations. Always use a properly selected and installed pressure relief valve to prevent damage and injury from over-pressurization of pipes and tanks.

I/O Descriptions

TERMINAL BLOCK	DESCRIPTION
D1 / D2	Dry Auto Input - When closed, the starter will run when in Auto Mode. (N.O. dry contact or transistorized input)
O1 / O2	Fault Relay Output - Normally open relay contacts that closes in the event of a fault condition. 120VAC, 0.6A
For the above: Use 12-20AWG wire for I/O terminal blocks	
TERMINAL	DESCRIPTION
T- / TI / T+	Run-Timer Input - Connections for optional 1/2-12hr run timer.
D3 / D4 / D5	Pilot Device Input - Connections for a 3-position (HOA) switch for motor control. (Wired from manufacturer on N3R enclosed units)
C- / C+	Contactor Output - Provides a 24V output to close the contactor when the motor starter is commanded in either HAND or AUTO mode. Once the contactor is closed, the output drops to 2-4V to maintain contactor closure while optimizing efficiency. Only for use with Franklin Electric contactor with 24VAC coil (24V, 0.875A Max).
For the above: Use 14-26AWG wire for I/O terminals, torque to 3.5 lb-in	



Product improvement is a continual process. Cerus, Mira, Smartstart and associated logos are trademarks of Franklin Electric Co., Inc. All sales are subject to FE Terms & Conditions.

800.348.2420 | www.franklinwater.com



Installation & Operation Guide

This manual is available for download at www.franklinwater.com



Precautions

To prevent injury and property damage, follow these instructions. Failure to adhere to installation/operation procedures and all applicable codes may result in hazards as indicated by warning codes outlined below:

DANGER

indicates an imminently hazardous situation which, if not avoided, will result in death or serious injury. This signal word is to be limited to the most extreme situations.

WARNING

indicates a potentially hazardous situation which, if not avoided, could result in death or serious injury.

CAUTION

indicates a potentially hazardous situation which, if not avoided, may result in minor or moderate injury. It may also be used to alert against unsafe practices.



This is the safety alert symbol. Read and follow instructions carefully to avoid a dangerous situation.



This symbol alerts the user to the presence of "dangerous voltage" inside the product that might cause harm or electrical shock.

Safety Instructions

DANGER

Equipment can start automatically. Lockout/tagout before servicing.

CAUTION

As with all electrical products, read manual thoroughly. Only qualified, expert personnel should perform maintenance and installation. Contact the nearest authorized service facility for examination, repair, or adjustment. Do not disassemble or repair unit unless described in this manual; death or injury to electrical shock or fire hazard may result. Specifications and manual data subject to change. Consult factory for additional information.

Installation



HAZARDOUS VOLTAGE

- Disconnect and lock out all power before installing or servicing equipment.
- This equipment may require locking out multiple power sources prior to service
- Install and wire in accordance with all applicable local & national electrical and construction codes

FAILURE TO FOLLOW THESE INSTRUCTIONS MAY RESULT IN DEATH OR SERIOUS INJURY

Mounting

Mount the starter on a vertical surface, with the line terminals facing up.

CE compliant Installations

To conform to the EMC directive a ferrite core is required on the input of the starter module. Consult the factory for the recommended part number. For a CE compliant installation, all electrical connections must be made by a qualified electrical technician.



- To maintain overcurrent and short-circuit protection, the manufacturer's instructions for selecting current elements and setting the instantaneous-trip circuit breaker must be followed.
- Tripping of the instantaneous-trip circuit breaker is an indication that a fault current has been interrupted. Current-carrying components of the magnetic motor controller should be examined and replaced if damaged to reduce the risk of fire or electric shock.
- Do not locate starter in an environment subject to flammable gases, dusts or materials. Contact arcing can induce explosion or fire.
- Locate starter in a location appropriate to enclosure ratings and operational ratings.
- Do not allow any metal shavings or debris from installation to enter enclosure.

Wiring

Wire main power input and motor leads to the appropriate terminals tightened to specified torques indicated in the Torque Table below. Use only copper conductors rated at least 60°C for applications less than 100A and at least 75°C ≥ 100A. Maintain proper clearances and verify that no possibility of an electrical short exists between the power conductors or enclosure. Ensure that wires are not under stress and all insulation is intact.

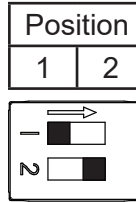
Low Voltage Wiring

Automation system control wiring should be run in a separate conduit. The control terminal blocks accept 20~12AWG.

Torque Table

Starter	Input (lb-in)		Output (lb-in)
	Standard	Combination	Motor Leads
SSP-S0	NA	70	20
SSP-S0P	NA	70	20
SSP-S1	NA	70	20
SSP-S1P	10.6	70	20
SSP-S2	10.6	70	35
SSP-S3	NA	70-132	45
SSP-S3P	61	70-132	45

Program Switches



	Phase Unbalance
SWITCH 1 Default = Position 1	(Position 1) - Trips in the event of phase loss or if any 1 phase deviates by more than 25% from average. (Position 2) - Trips in the event of phase loss or if any 1 phase deviates by more than 80% of average.
SWITCH 2 Default = Position 2	(Position 1) - In the event of a power failure, the starter will return to OFF mode. (Position 2) - In the event of a power failure, the starter will return the last mode it was in (Hand, Off, or Auto) within 10 seconds.

Protective Features

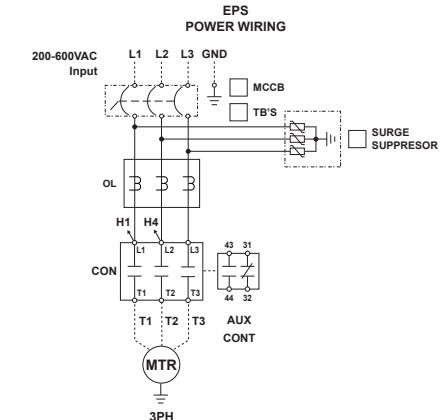
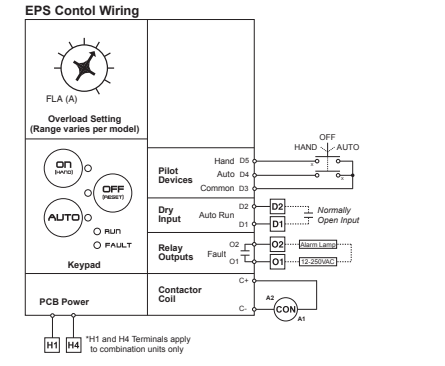
Cycle Fault	Trips when the starter is activated at a rate exceeding 20 starts per minute.
Hardware Fault	Trips if the starter's current drawn from the 24V contactor terminals exceeds the rating of the contactor. Also trips if the wrong size contactor is installed, or in the event of a circuit board failure. Note: Contactor terminals C+ & C- are for use with a Franklin Electric contactor only. Do not connect to any other devices.
Locked Rotor	Trips when a locked rotor condition is detected for 0.5 seconds. (Smartstart mode only)
Max Start Time	Trips if the motor takes more than 10 seconds to start. (Smartstart mode only)
No Current Fault	Trips if no current is detected 10 seconds after a run command has been received.
Stall	Trips if a STALL condition is detected. (0.5 sec @ 300% overload setting and current slope not decreasing) Disabled during startup.
Overload	Trip current = 115% of dial setting. Trips when the load is greater than the trip current. (I ² t trip curve)
Underload	Trips if the current falls below the user selected % threshold of the overload dial setting for 0.5 seconds and if the current is not increasing. (0-100% of overload setting)
Current Phase Unbalance	Trips the in the event of a phase failure or if any phase deviates by more than 25% from the average when Smartstart is enabled. If Smartstart is disabled, the starter will trip if any phase deviates more than 80% of the average.

Electronic Overload Operation

When an fault trip occurs, the fault LED will illuminate. The type of fault will be indicated by flashing a combination of the HAND/OFF/AUTO/RUN/FAULT LEDs as indicated in the table below.

FAULT	FLASHING LED
Cycle Fault	NONE
Hardware Fault	RUN & FAULT LEDs
Locked Rotor	OFF LED
Max Start Time	OFF & AUTO LEDs
No Current Fault	HAND LED
Stall	HAND & AUTO LEDs
Overload	HAND & OFF LEDs
Underload	AUTO LED
Phase Unbalance	HAND, OFF, & AUTO LEDs

Wiring Schematic*



NOTES:
1) DASHED LINES INDICATE FIELD WIRING
2) CHECKED BOXES INDICATE FACTORY INSTALLED OPTIONS

*Standard product wiring diagram shown. As-built product wiring may vary. Product wiring diagram located on starter enclosure.