

CENTRIFUGAL PUMPS

FRAME MOUNT FACT



FEATURES

- Volute: Cast iron construction; can be rotated for ease of installation; tapped openings provided for venting and draining
- Impeller: 2" x 2" cast iron construction; enclosed design for high efficiency
- Mechanical Seal: Standard with carbon/ceramic faces; nitrile elastomers; 300-series stainless steel components
- Bearing Frame: For belt or direct drive
- Mounting: Vertical or horizontal position



SPECIFICATIONS

- Capacities to 175 gpm
- Heads to 150 feet
- 120 psi maximum working pressure
- 212 °F maximum temperature
- Clockwise rotation when viewed from drive end
- NPT pipe connections

APPLICATIONS

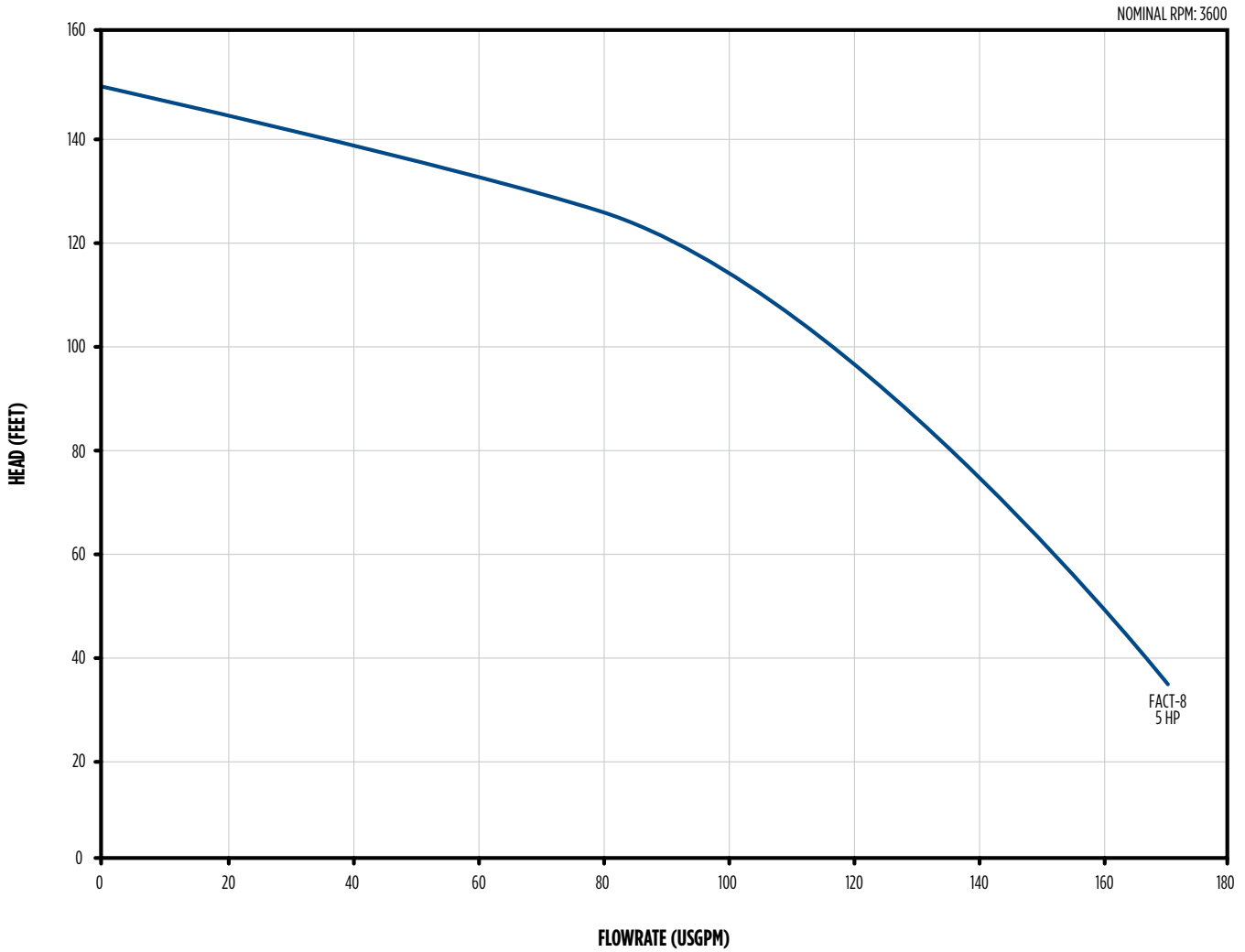
- Water Circulation
- Booster Service
- Liquid Transfer
- Spraying Systems
- Jockey Pump
- General Service

CENTRIFUGAL PUMPS

FRAME MOUNT FACT



PERFORMANCE



ORDERING INFORMATION

Model	Dis. x Suc. (NPT)	Rotation	Shaft Sealing	Order No.	Wt. (lbs)
FACT-8	2" x 2"	Clockwise*	Mechanical Seal	90252008	21

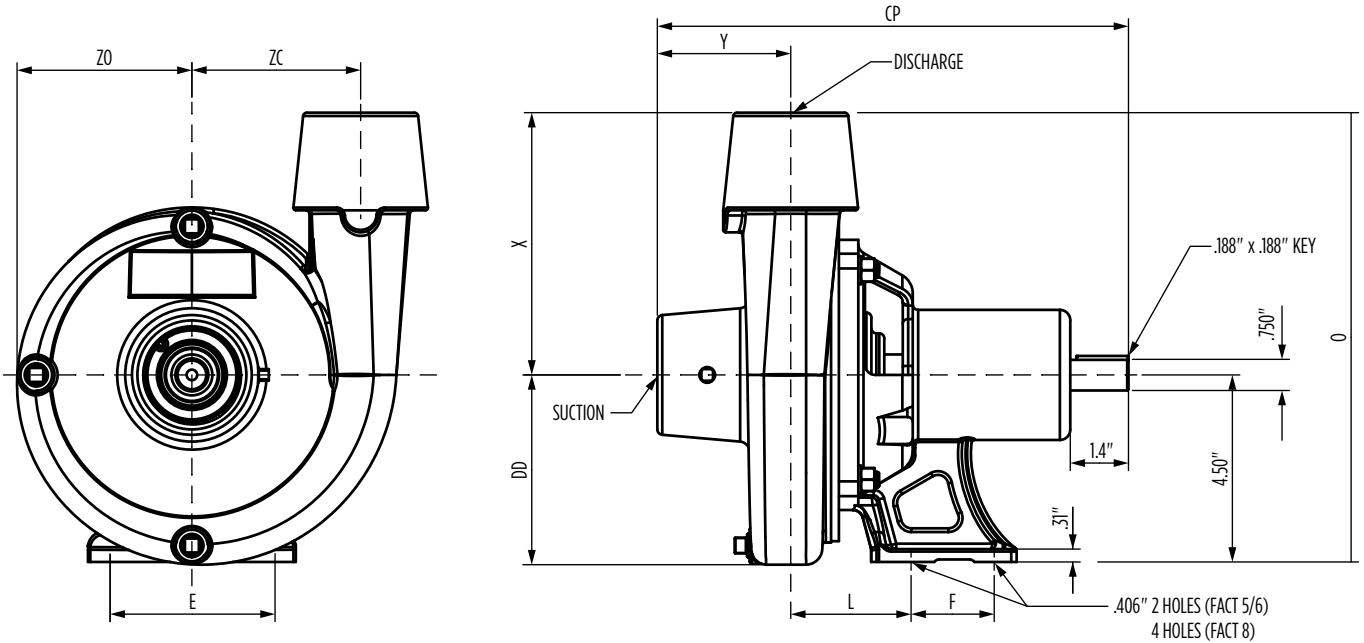
* When viewed from drive end

CENTRIFUGAL PUMPS

FRAME MOUNT FACT



DIMENSIONS



Model	Dis. x Suc. (NPT)	Dimensions (in)									
		CP	DD	E	F	L	O	X	Y	ZC	ZO
FACT-8	2" x 2"	11.37	4.62	4.00	2.00	2.87	11.00	6.25	3.25	5.75	4.75

NOTE: Dimensions are for estimating purposes only.

MATERIALS AND PARTS

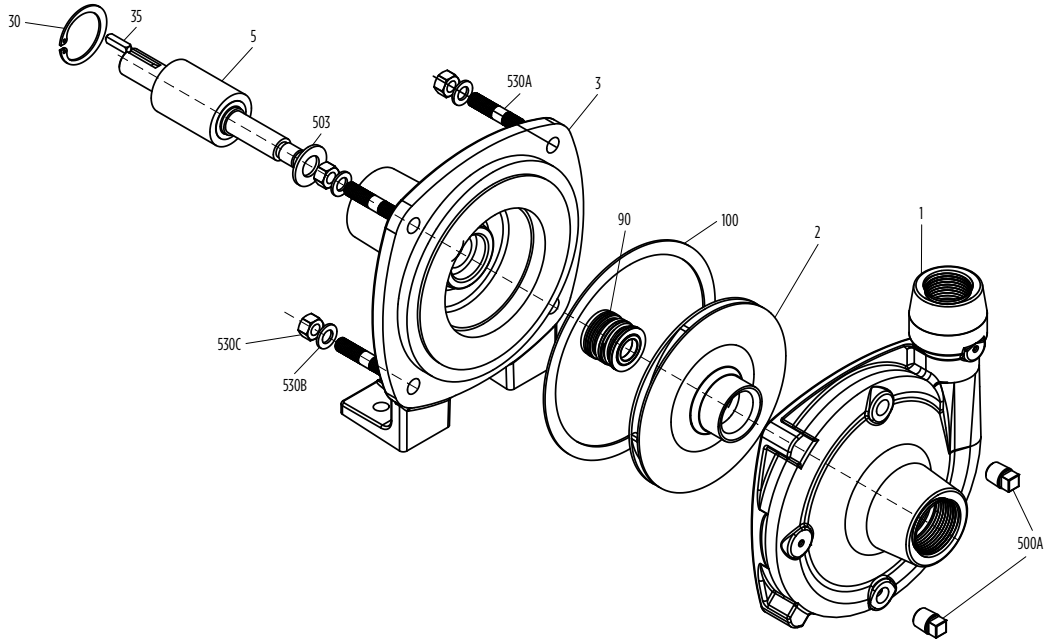


Fig. No.	Part Description	Part No.			Materials of Construction
		FACT-5*	FACT-6*	FACT-8	
1	Volute Case	305453008	305453042	305459001	Cast iron, ASTM-A48 CL30
2	Impeller	305453009	305453043	305453047	Modified PPO
3	Transmission Housing	305453010	305453044	N/A	Cast iron, ASTM-A48 CL30
3	Transmission Housing	N/A	N/A	305453048	Cast iron, ASTM-A48 CL30
5	Shaft/Bearing Assembly	305453011			Misc.
Not Shown	Shaft	N/A	N/A	305453049	Low-carbon steel C1018120
Not Shown	Ball Bearing (2-pack)	N/A	N/A	305463180	Misc.
30	Retaining Ring	305463027			Steel
35	Shaft Key	305463028			301 stainless steel
90	Mechanical Shaft Seal	305463176			Carbon/ceramic/nitrile/316 stainless steel
100	Gasket	305453012	305453045	N/A	Styrene-butadiene rubber
100A	O-ring	N/A	N/A	305463004	Nitrile
503	Water Slinger	305453013			Neoprene
Not Shown	Pipe Plug 1/8 (3-pack)	N/A	N/A	305463009	Zinc-plated steel
500A	Pipe Plug (3-pack)	305463020			Zinc-plated steel
530A	Bracket Threaded Stud (4-pack)	305463031			Zinc-plated steel
530B	Lockwasher (8-pack)	305463135			Zinc-plated steel
530C	Hex Nut (8-pack)	305463033			Zinc-plated steel
Not Shown	Impeller Hex Cap Screw	N/A	N/A	305463056	Zinc-plated steel
Not Shown	Impeller Washer	N/A	N/A	305463297	18-8 Stainless Steel
Not Shown	Sleeve	N/A	N/A	305453051	304 stainless steel
Not Shown	Seal Plate	N/A	N/A	305453052	Cast iron, ASTM-A48 CL30
Not Shown	Lip Seal	N/A	N/A	305463139	Nitrile

Pumps produced before Jan. 2020

* Discontinued

Not Shown	Impeller Washer	N/A	N/A	305463063	Zinc-plated steel
-----------	-----------------	-----	-----	-----------	-------------------



Franklin Electric